

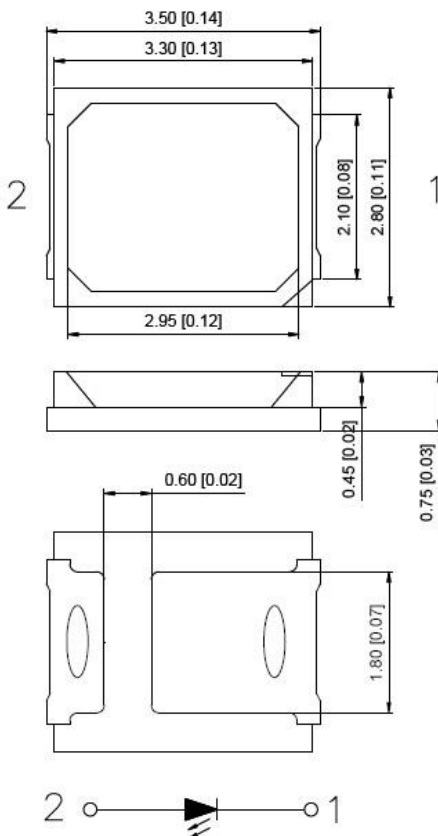
1、 Features:

- Emitting Color: Red
- Lens Type: Water Clear
- Device Outline: 3.5×2.8×0.75 (unit:mm)
- RoHS compliant

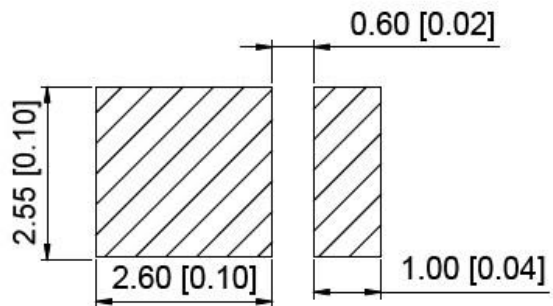
2、 Applications:

- LED plant lighting
- Indoor Lighting
- Growing Lighting

3、 Outline Dimensions:



Recommended Soldering Pattern:



Note: 1.All dimension units are millimeters

2. All dimension tolerance is ±0.15mm



Part No.:JSL-2835URC-660

4、 Absolute maximum ratings (Ta = 25°C):

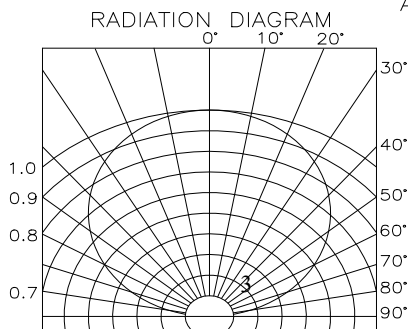
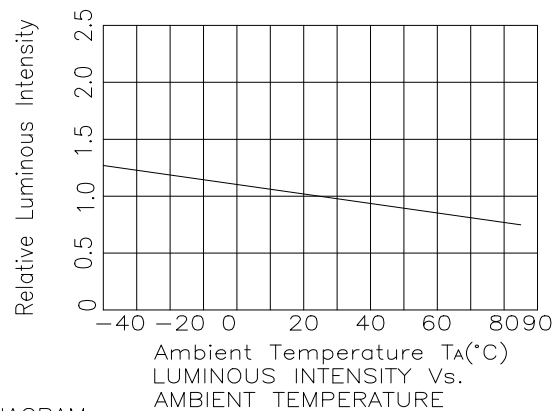
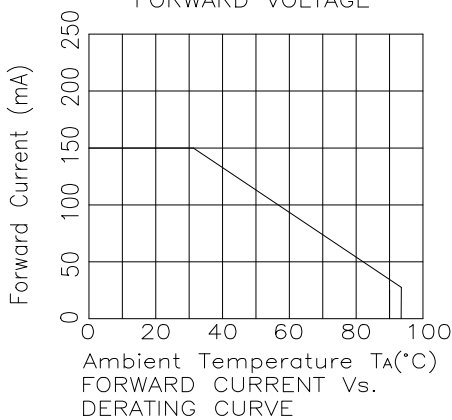
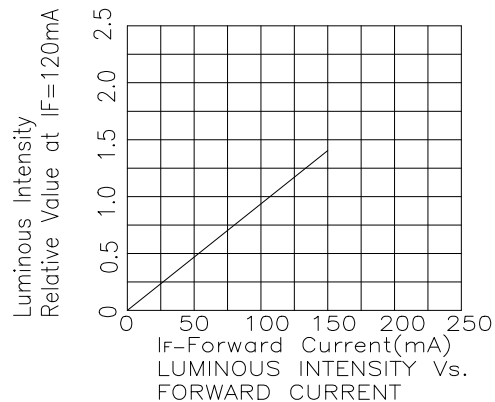
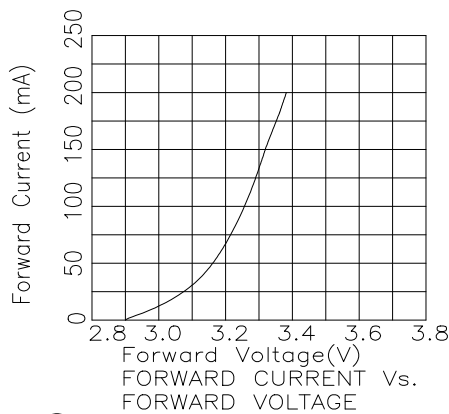
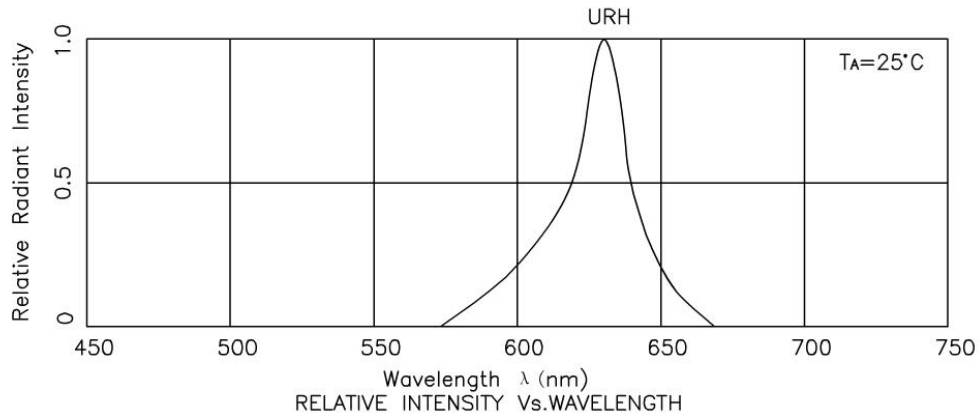
Parameter	Symbol	Test Condition	Value		Unit
			Min.	Typ.	
Power Dissipation	Pd	—	—	500	mW
Reverse Voltage	VR	IR = 30 μA	5	—	V
Pulse Current	IFp	Duty=0.1, 1kHz	—	150	mA
Forward Current	IFm	—	—	60	mA
Operating Temperature	Topr	—	-40	+85	°C
Storage Temperature	Tstr	—	-40	+100	°C

5、 Electrical and optical characteristics (Ta = 25°C):

Parameter	Symbol	Test Condition	Value			Unit
			Min.	Typ.	Max.	
Forward Voltage	VF	IF = 60mA	1.8	2.0	2.3	V
Reverse Current	IR	VR = 5V	—	—	30	μA
Dominate Wavelength	λD	IF = 60mA	—	660	—	nm
Luminous Intensity	Iv	IF = 60mA	1000	1200	1400	mcd
Luminous Flux	Iv	IF = 60mA	2	3	5	lm
Viewing Angle	2θ 1/2	IF = 60mA	—	120	—	Deg.

6、 Typical electrical/optical characteristic curves/光电特性曲线:

Typical Electrical/Optical Characteristics Curves





7、 Specification of Packing

7.1 Taping and Orientation

Quantity : 4000 units/reel

Diameter : 178 mm

