

1、 Features:

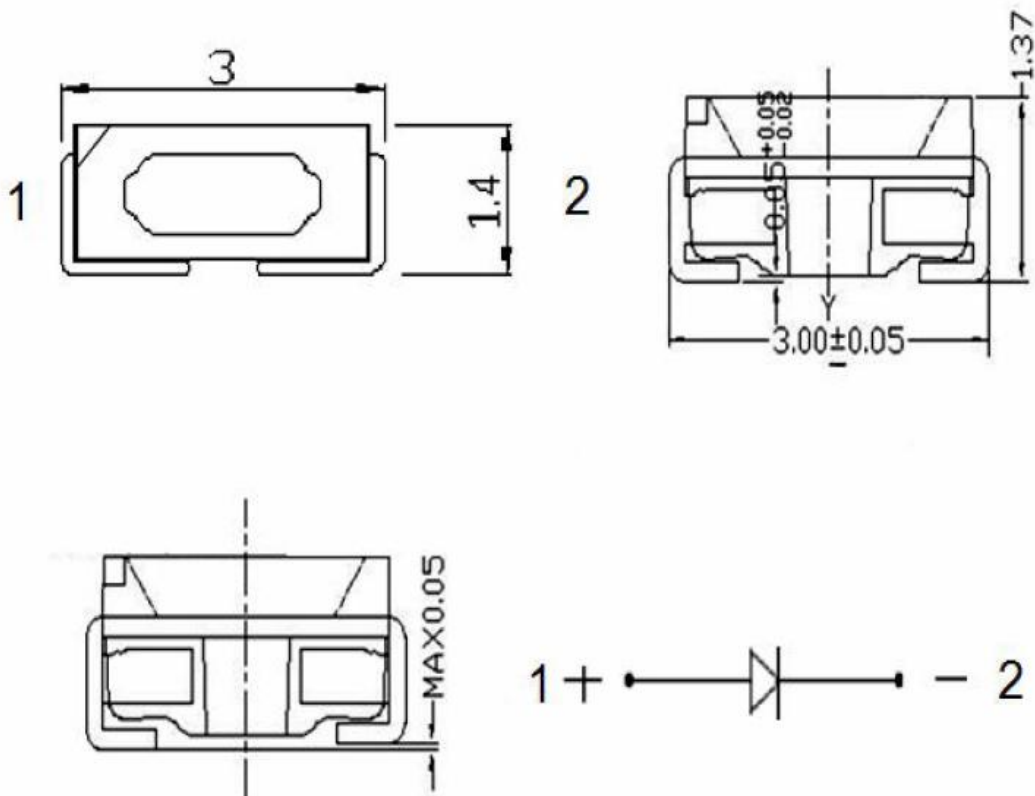
- Emitting Color: Yellow
- Lens Type: Water Clear
- Device Outline: 3.0×1.4×1.37 (unit:mm)
- RoHS compliant



2、 Applications:

- Backlight for Mobile, Machine Vision, LCD Display
- Backlight in Dashboard and switch of Automotive

3、 Outline Dimensions:



Notes

- All dimensions are in millimeters (inches).
- Tolerance is $\pm 0.25\text{mm}$ (.010") unless otherwise noted.
- Protruded resin under flange is 1.0mm(.04") max.
- Lead spacing is measured where the leads emerge from the package.



4、 Absolute maximum ratings (Ta = 25°C):

Parameter	Symbol	Test Condition	Value		Unit
			Min.	Max.	
Power Dissipation	Pd	---	---	60	mW
Reverse Voltage	VR	IR = 30 μ A	5	---	V
Pulse Current	IFp	Duty=0.1, 1kHz	---	100	mA
Forward Current	IFm	---	---	30	mA
Operating Temperature	Topr	---	-40	+85	°C
Storage Temperature	Tstr	---	-40	+85	°C

5、 Electrical and optical characteristics (Ta = 25°C):

Parameter	Symbol	Test Condition	Value			Unit
			Min.	Typ.	Max.	
Forward Voltage	VF	IF = 30mA	1.8	2.0	2.4	V
Reverse Current	IR	VR = 5V	---	---	30	μ A
Wave Length	Tc	IF = 30mA	590	---	595	nm
Luminous Intensity	Iv	IF = 30mA	500	600	700	mcd
Viewing Angle	2 θ 1/2	IF = 30mA	---	120	---	Deg.



Ningbo Junsheng Electronics Co.,LTD.

Part No.: JSL-30UYC

Typical electrical/optical characteristic curves:

