

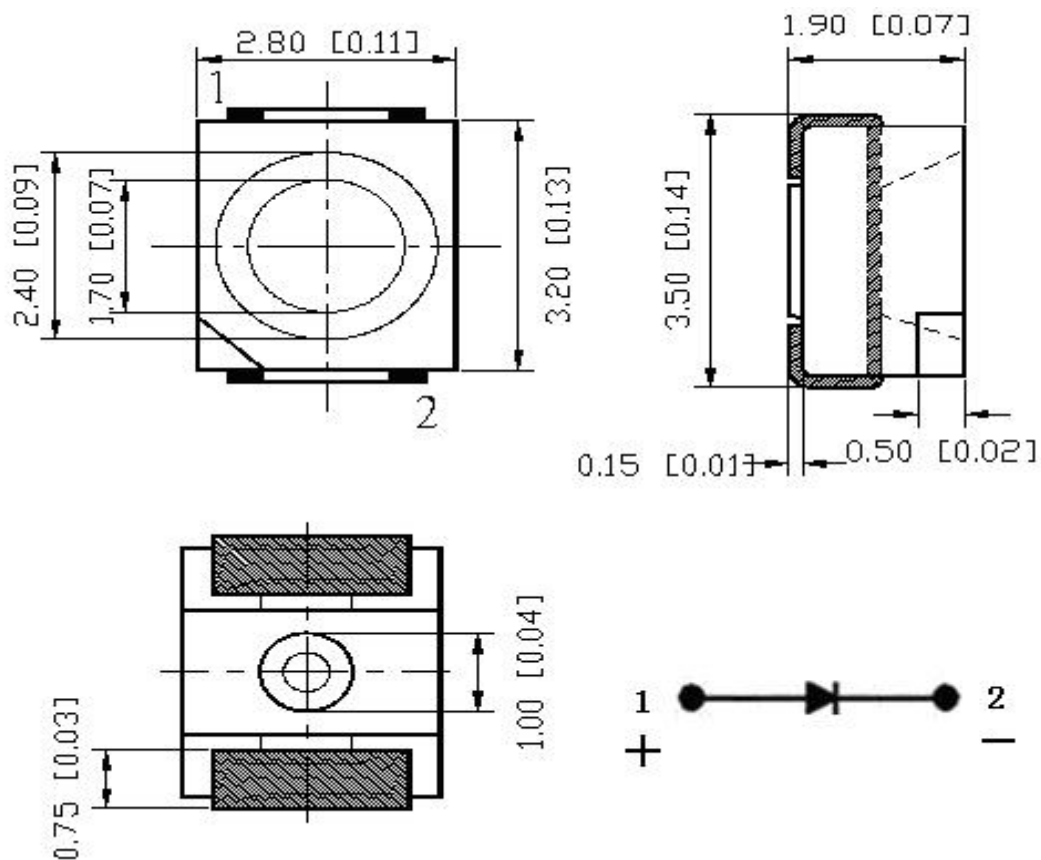
**1、 Features:**

- Emitting Color: Blue
- Lens Type: Water Clear
- Device Outline: 3.5×2.8×1.9 (unit:mm)
- RoHS compliant

**2、 Applications:**

- Backlight for Mobile, Machine Vision, LCD Display
- Backlight in Dashboard and switch of Automotive

**3、 Outline Dimensions:**





**4、 Absolute maximum ratings (Ta = 25°C):**

Parameter	Symbol	Test Condition	Value		Unit
			Min.	Max.	
Power Dissipation	Pd	---	---	90	mW
Reverse Voltage	VR	IR = 30 $\mu$ A	5	---	V
Pulse Current	IFp	Duty=0.1, 1kHz	---	100	mA
Forward Current	IFm	---	---	25	mA
Operating Temperature	Topr	---	-40	+85	°C
Storage Temperature	Tstr	---	-40	+85	°C

**5、 Electrical and optical characteristics (Ta = 25°C):**

Parameter	Symbol	Test Condition	Value			Unit
			Min.	Typ.	Max.	
Forward Voltage	VF	IF = 20mA	---	3.2	3.5	V
Reverse Current	IR	VR = 5V	---	---	30	$\mu$ A
Wave Length	Tc	IF = 20mA	465	---	470	nm
Luminous Intensity	Iv	IF = 20mA	200	350	500	mcd
Viewing Angle	2 $\theta$ 1/2	IF = 20mA	---	120	---	Deg.

### 6. Typical electrical/optical characteristic curves:

Fig.1 正向电流 Vs. 正向电压

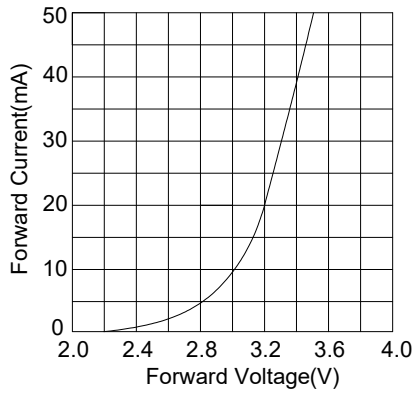


Fig.2 相对亮度 Vs. 正向电流

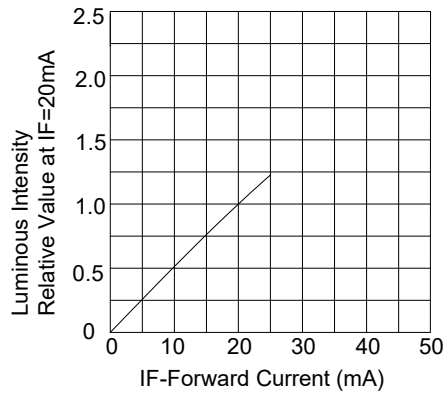


Fig.3 正向电流 Vs. 环境温度

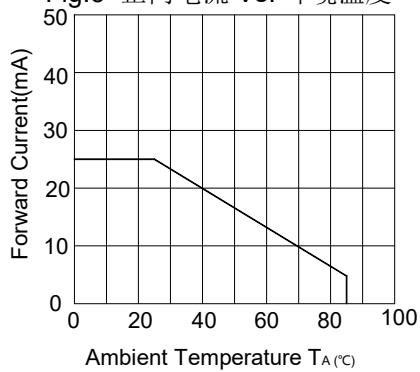


Fig.4 相对亮度 Vs. 环境温度

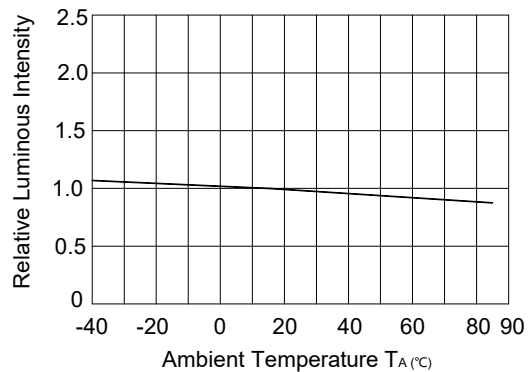
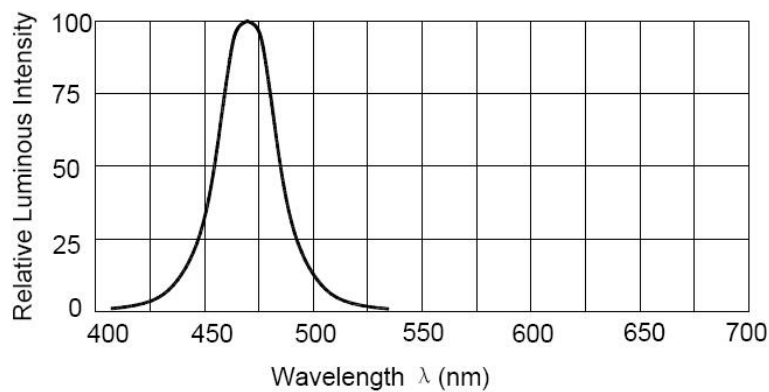


Fig.5 相对亮度 Vs. 波长





## 7.Specification of Packing

### 8.1 Taping and Orientation

Quantity: 2000 units/reel

Diameter: 178 mm

