

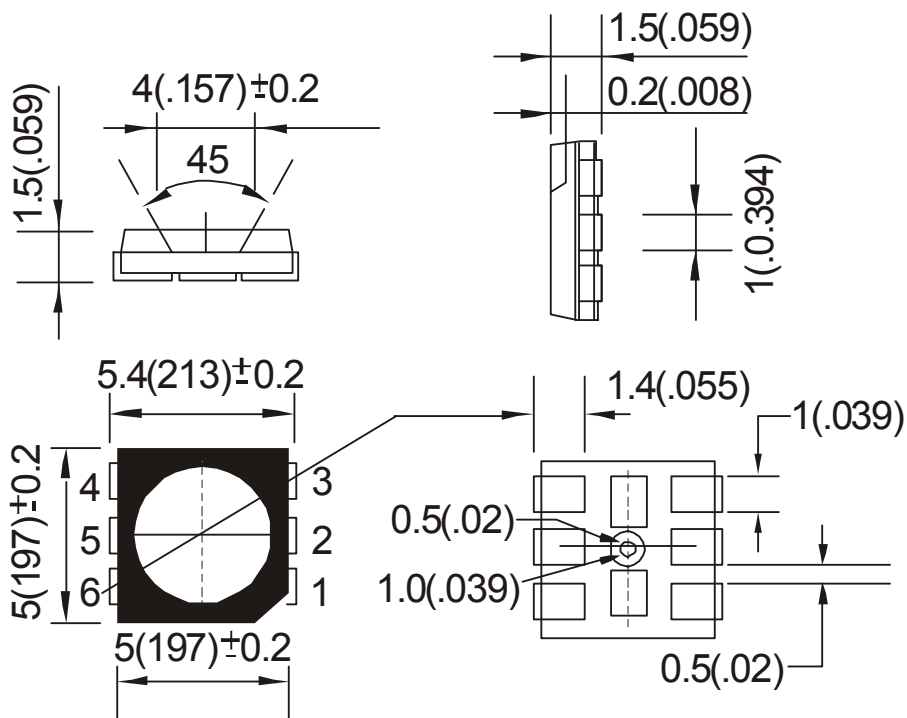
1、 Features:

- Emitting Color: Green
- Lens Type: Water Clear
- Device Outline: 5.0x5.0x1.5 (unit:mm)
- RoHS compliant

2、 Applications:

- Backlight for Mobile, Machine Vision, LCD Display
- Backlight in Dashboard and switch of Automive
- Indoor LED lighting, Architectural Lighting

3、 Outline Dimensions:





4、 Absolute maximum ratings (Ta = 25°C):

| Parameter | Symbol | Test Condition | Value | | Unit |
|-----------------------|--------|-----------------|-------|------|------|
| | | | Min. | Max. | |
| Power Dissipation | Pd | — | — | 270 | mW |
| Reverse Voltage | VR | IR = 30 μ A | 5 | — | V |
| Pulse Current | IFp | Duty=0.1, 1kHz | — | 100 | mA |
| Forward Current | IFm | — | — | 25 | mA |
| Operating Temperature | Topr | — | -40 | +85 | °C |
| Storage Temperature | Tstr | — | -40 | +100 | °C |

5、 Electrical and optical characteristics (Ta = 25°C):

| Parameter | Symbol | Test Condition | Value | | | Unit |
|--------------------|----------------|----------------|-------|------|------|---------|
| | | | Min. | Typ. | Max. | |
| Forward Voltage | VF | IF = 60mA | — | 3.2 | 3.6 | V |
| Reverse Current | IR | VR = 5V | — | — | 30 | μ A |
| Wavelength | Tc | IF = 60mA | 520 | 525 | — | nm |
| Luminous Intensity | Iv | IF = 60mA | 2500 | 3500 | — | mcd |
| Viewing Angle | 2 θ 1/2 | IF = 60mA | — | 120 | — | Deg. |

Typical electrical/optical characteristic curves:

Fig.1 正向电流 Vs. 正向电压

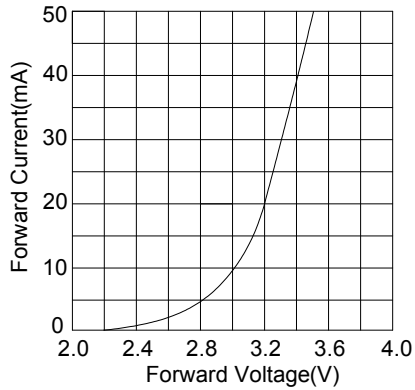


Fig.2 相对亮度 Vs. 正向电流

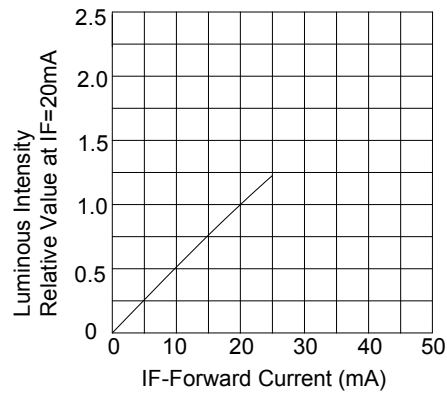


Fig.3 正向电流 Vs. 环境温度

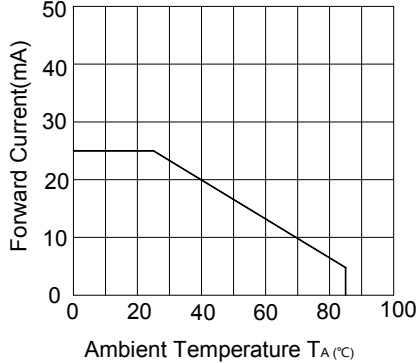


Fig.4 相对亮度 Vs. 环境温度

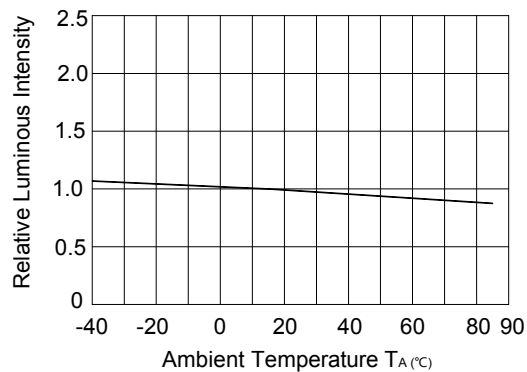


Fig.5 相对亮度 Vs. 波长

