



JSL-801 Series (8mm round 0.5W ultra brightness LED diode)

Features:

- 1.Ultra brightness.
- 2.Choice of various viewing angles
- 3.IC compatible /Low current capability
- 4.Long life solid state reliability.
5. RoHs compliant.

Electrical and optical characteristics(Ta=25 °c)

Part Number	Dice material And color	Lens color	Peak Wavelength	Vf(V) Typ	luminous flux(lm)			Viewing Angle 2 θ 1/2
					Min	Typ	Max	
JSL-801URC-0.5W	AlGaInP/Ultra Red	Water Clear	625nm	2.0	15	18	26	35°
JSL-801UYC-0.5W	AlGaInP/Ultra Yellow	Water Clear	590nm	2.0	15	18	26	35°
JSL-801UAC-0.5W	AlGaInP/Ultra Amber	Water Clear	610nm	2.0	15	18	26	35°
JSL-801UBC-0.5W	InGaN/Ultra Blue	Water Clear	470nm	3.2	5	8	15	35°
JSL-801PGC-0.5W	InGaN/Pure Green	Water Clear	525nm	3.2	20	30	40	35°
JSL-801UWC-0.5W	InGaN/Ultra White	Water clear	6000k	3.2	30	40	50	35°
JSL-801WWC-0.5W	InGaN/Ultra White	Water clear	3000k	3.2	30	40	50	35°



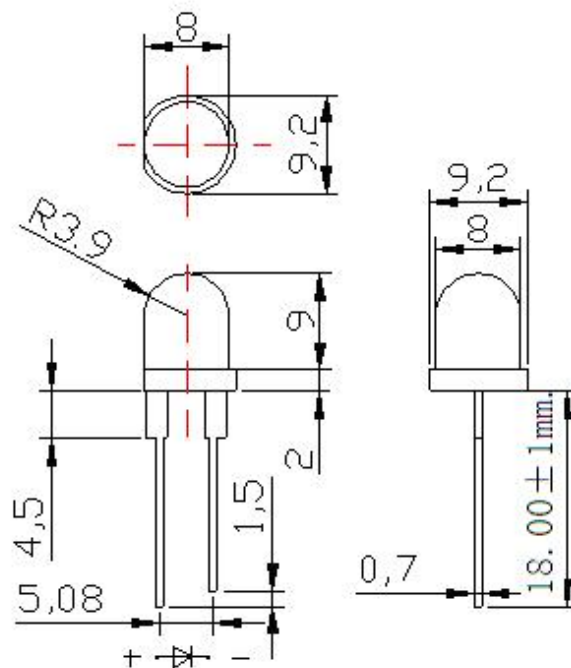
JSL-801 Series

8mm round 0.5W ultra brightness LED diode

Absolute Maximum Ratings at Ta=25°C

PARAMETER	MAXIMUM RATING	UNITS
Power Dissipation	500	mW
Peak Current (1)	150	mA
Forward Current (DC)	150	mA
Reverse Voltage (I _R = 10μA)	5	V
Operating Temperature	-25 to +85	°C
Storage Temperature	-40 to +100	°C

Package configuration:



- 1.All dimensions are millimeters (inches)
- 2.Tolerance is $\pm 0.25\text{mm}$ (.010") unless otherwise noted.