



JSL-1001 Series (10mm round ultra brightness LED diode)

Features:

- 1.Ultra brightness.
- 2.Choice of various viewing angles
- 3.IC compatible /Low current capability
- 4.Long life solid state reliability.
5. RoHs compliant.

Electrical and optical characteristics(Ta=25 °c)

Part Number	Dice material And color	Lens color	Peak Wavelength	Vf(V) Typ	Iv(mcd)			Viewing Angle 2 θ 1/2
					Min	Typ	Max	
JSL-1001URC-S	AlGaInP/Ultra Red	Water Clear	625nm	2.0	1000	1500	2000	30°
JSL-1001URC-U	AlGaInP/Ultra Red	Water Clear	625nm	2.0	4000	4500	5000	30°
JSL-1001UYC-S	AlGaInP/Ultra Yellow	Water Clear	590nm	2.0	1000	1500	2000	30°
JSL-1001UYC-U	AlGaInP/Ultra Yellow	Water Clear	590nm	2.0	5000	5500	6000	30°
JSL-1001UAC-S	AlGaInP /Ultra Amber	Water Clear	610nm	2.0	800	1200	1500	30°
JSL-1001UAC-U	AlGaInP /Ultra Amber	Water Clear	610nm	2.0	4000	4500	5000	30°
JSL-1001UBC-S	InGaIn/Ultra Blue	Water Clear	470nm	3.2	2000	2500	3000	30°
JSL-1001UBC-U	InGaIn/Ultra Blue	Water Clear	470nm	3.2	4000	4500	5000	30°
JSL-1001BGC	InGaIn/Bluish Green	Water Clear	505nm	3.2	7000	8000	10000	30°
JSL-1001PGC	InGaIn/Pure Green	Water Clear	525nm	3.2	12000	15000	20000	30°
JSL-1001UPC	InGaIn/Super Pink	Water Clear	-----	3.2	4000	4500	5000	30°
JSL-1001UWC	InGaN/Ultra White	Water clear	6000k	3.2	10000	12000	15000	30°
JSL-1001WWC	InGaN/Ultra White	Water clear	6000k	3.2	10000	12000	15000	30°

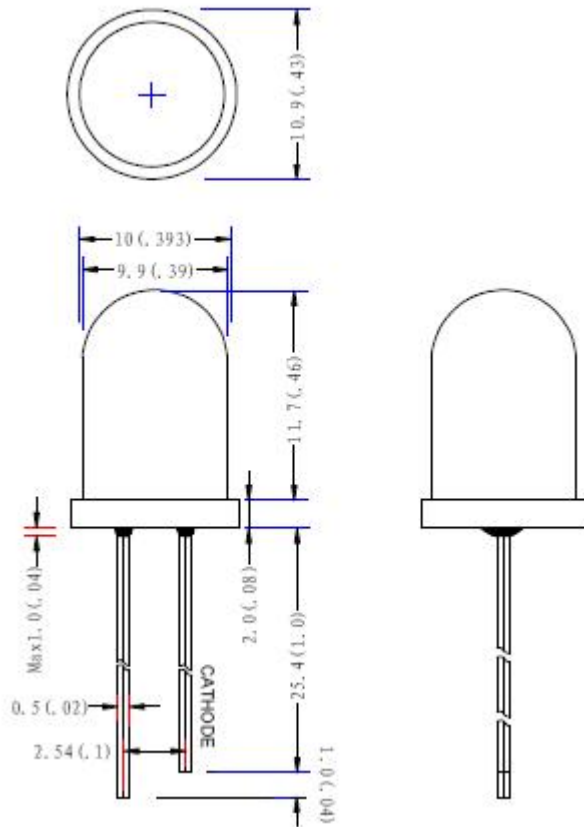


JSL-1001 Series

Absolute Maximum Ratings at Ta=25°C

Parameter	Symbol	UR	UY	UG	UA	UB	BG	PG	UV	UP	UW	WW	Unit
Forward Current	I_F	25	25	25	25	30	30	30	30	30	30	30	mA
Power Dissipation	P_d	60	60	60	60	100	100	100	100	100	100	100	mW
Reverse Voltage	V_R	5											V
Peak Forward Current (Duty 1/10 @1KHZ)	I_{PF}	150											mA
Operation Temperature	T_{OPR}	-40 to +80											°C
Storage Temperature	T_{STG}	-40 to +85											°C

Package configuration:



- 1.All dimensions are millimeters (inches)
- 2.Tolerance is $\pm 0.25\text{mm}$ (0.010") unless otherwise noted.