



## JSL-507Series

(5mm round concave with no flange ultra brightness LED diode)

### Features:

- 1.Ultra brightness.
- 2.Choice of various viewing angles
- 3.IC compatible /Low current capability
- 4.Long life solid state reliability.
5. RoHs compliant.

### Electrical and optical characteristics(Ta=25 ° c)

Part Number	Dice material And color	Lens color	Peak Wavelength	Vf(V) Typ	Iv(mcd)			Viewing Angle 2 θ 1/2
					Min	Typ	Max	
JSL-507URC-S	AlGaInP/Ultra Red	Water Clear	625nm	2.0	200	300	400	110°
JSL-507URC-U	AlGaInP/Ultra Red	Water Clear	625nm	2.0	300	500	800	110°
JSL-507UYC-S	AlGaInP/Ultra Yellow	Water Clear	590nm	2.0	200	300	400	110°
JSL-507UYC-U	AlGaInP/Ultra Yellow	Water Clear	590nm	2.0	300	500	800	110°
JSL-507UAC	AlGaInP /Ultra Amber	Water Clear	610nm	2.0	100	250	400	110°
JSL-507UBC-S	InGaInP/Ultra Blue	Water Clear	470nm	3.2	400	600	800	110°
JSL-507UBC-U	InGaInP/Ultra Blue	Water Clear	470nm	3.2	800	1000	1500	110°
JSL-507PGC	InGaInP/Pure Green	Water Clear	525nm	3.2	1000	1500	2000	110°
JSL-507UPC	InGaInP/Super Pink	Water Clear	-----	3.2	400	600	800	110°
JSL-507UWC	InGaN/Ultra White	Water clear	6000k	3.2	1000	1500	2000	110°
JSL-507WWC	InGaN/Ultra White	Water clear	6000k	3.2	1000	1500	2000	110°

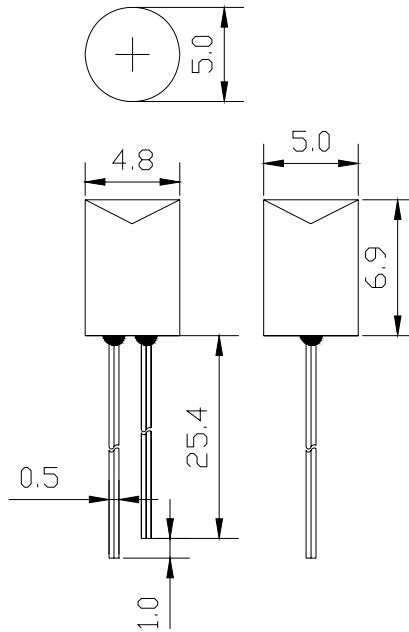


## JSL-507 Series

### Absolute Maximum Ratings at Ta=25°C

Parameter	Symbol	UR	UY	UG	UA	UB	BG	PG	UV	UP	UW	WW	Unit
Forward Current	I <sub>F</sub>	25	25	25	25	30	30	30	30	30	30	30	mA
Power Dissipation	P <sub>d</sub>	60	60	60	60	100	100	100	100	100	100	100	mW
Reverse Voltage	V <sub>R</sub>	5											V
Peak Forward Current (Duty 1/10 @1KHZ)	I <sub>PF</sub>	150											mA
Operation Temperature	T <sub>OPR</sub>	-40 to +80											°C
Storage Temperature	T <sub>STG</sub>	-40 to +85											°C

### Package configuration:



- 1.All dimensions are millimeters (inches)
- 2.Tolerance is  $\pm 0.25\text{mm}$ (.010") unless otherwise noted.