



## JSL-801 Series (8mm round ultra brightness LED diode)

### Features:

- 1.Ultra brightness.
- 2.Choice of various viewing angles
- 3.IC compatible /Low current capability
- 4.Long life solid state reliability.
5. RoHs compliant.

### Electrical and optical characteristics(Ta=25 ° c)

Part Number	Dice material And color	Lens color	Peak Wavelength	Vf(V) Typ	Iv(mcd)			Viewing Angle 2 θ 1/2
					Min	Typ	Max	
JSL-801URC-S	AlGaInP/Ultra Red	Water Clear	625nm	2.0	2000	3000	4000	20°
JSL-801URC-U	AlGaInP/Ultra Red	Water Clear	625nm	2.0	5000	6000	8000	20°
JSL-801UYC-S	AlGaInP/Ultra Yellow	Water Clear	590nm	2.0	2000	3000	4000	20°
JSL-801UYC-U	AlGaInP/Ultra Yellow	Water Clear	590nm	2.0	5000	6000	8000	20°
JSL-801UAC	AlGaInP /Ultra Amber	Water Clear	610nm	2.0	2000	3000	4000	20°
JSL-801UBC-S	InGaN/Ultra Blue	Water Clear	470nm	3.2	5000	6000	8000	20°
JSL-801UBC-U	InGaN/Ultra Blue	Water Clear	470nm	3.2	8000	10000	12000	20°
JSL-801BGC	InGaN/Bluish Green	Water Clear	505nm	3.2	8000	10000	15000	20°
JSL-801PGC	InGaN/Pure Green	Water Clear	525nm	3.2	10000	12000	15000	20°
JSL-801UPC	InGaN/Super Pink	Water Clear	-----	3.2	3000	5000	7000	20°
JSL-801UWC	InGaN/Ultra White	Water clear	6000k	3.2	10000	15000	20000	20°
JSL-801WWC	InGaN/Ultra White	Water clear	6000k	3.2	10000	15000	20000	20°

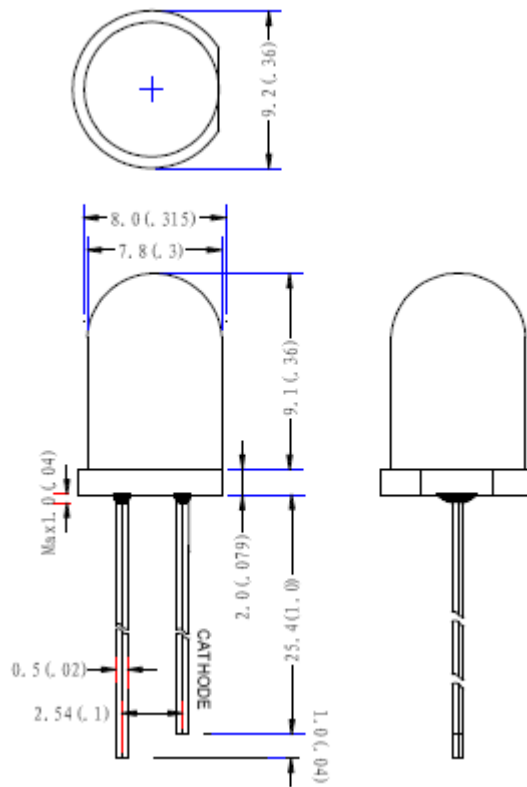


## JSL-801 Series

### Absolute Maximum Ratings at Ta=25°C

Parameter	Symbol	UR	UY	UG	UA	UB	BG	PG	UV	UP	UW	WW	Unit
Forward Current	I <sub>F</sub>	25	25	25	25	30	30	30	30	30	30	30	mA
Power Dissipation	P <sub>d</sub>	60	60	60	60	100	100	100	100	100	100	100	mW
Reverse Voltage	V <sub>R</sub>	5										V	
Peak Forward Current (Duty 1/10 @1KHZ)	I <sub>PF</sub>	150										mA	
Operation Temperature	T <sub>OPR</sub>	-40 to +80										°C	
Storage Temperature	T <sub>STG</sub>	-40 to +85										°C	

### Package configuration:



- 1.All dimensions are millimeters (inches)
- 2.Tolerance is  $\pm 0.25\text{mm}$ (.010") unless otherwise noted.