



JSL-1804Series (1.8mm round ultra brightness LED diode)

Features:

- 1.Ultra brightness.
- 2.Choice of various viewing angles
- 3.IC compatible /Low current capability
- 4.Long life solid state reliability.
5. RoHs compliant.

Electrical and optical characteristics(Ta=25 °c)

Part Number	Dice material And color	Lens color	Peak Wavelength	Vf(V) Typ	Iv(mcd)			Viewing Angle 2 θ 1/2
					Min	Typ	Max	
JSL-1804URC	AlGaInP /Ultra Red	Water Clear	625nm	2.0	1000	1500	2000	20°
JSL-1804UYC	AlGaInP/Ultra Yellow	Water Clear	590nm	2.0	1000	1500	2000	20°
JSL-1804UAC	AlGaInP /Ultra Amber	Water Clear	610nm	2.0	1000	1500	2000	20°
JSL-1804UBC	InGaN/Ultra Blue	Water Clear	470nm	3.2	1500	2000	3000	20°
JSL-1804PGC	InGaN/Pure Green	Water Clear	525nm	3.2	3000	4000	5000	20°
JSL-1804UWC	InGaN/Ultra White	Water clear	6000k	3.2	4000	5000	6000	20°
JSL-1804WWC	InGaN/Ultra White	Water clear	6000k	3.2	4000	5000	6000	20°
JSL-1804UR-W	AlGaInP /Ultra Red	White diffused	625nm	2.0	800	1000	1200	30°
JSL-1804UY-W	AlGaInP/Ultra Yellow	Water Clear	590nm	2.0	800	1000	1200	30°
JSL-1804UA-W	AlGaInP /Ultra Amber	Water Clear	610nm	2.0	800	1000	1200	30°
JSL-1804UB-W	InGaN/Ultra Blue	Water Clear	470nm	3.2	1000	1500	2000	30°
JSL-1804PG-W	InGaN/Pure Green	Water Clear	525nm	3.2	2500	3000	3500	30°
JSL-1804UW-W	InGaN/Ultra White	Water clear	6000k	3.2	3000	3500	4000	30°
JSL-1804WW-W	InGaN/Ultra White	Water clear	6000k	3.2	3000	3500	4000	30°

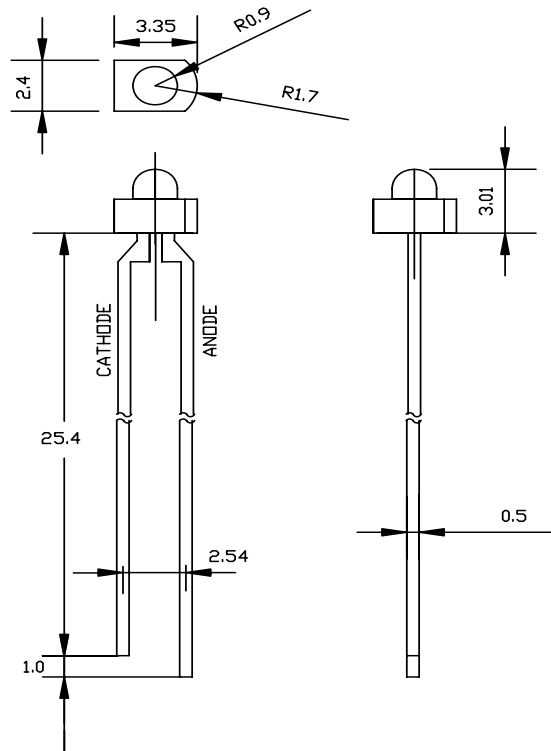


JSL-303 Series

Absolute Maximum Ratings at Ta=25°C

Parameter	Symbol	UR	UY	UG	UA	UB	BG	PG	UV	UP	UW	WW	Unit
Forward Current	I_F	25	25	25	25	30	30	30	30	30	30	30	mA
Power Dissipation	P_d	60	60	60	60	100	100	100	100	100	100	100	mW
Reverse Voltage	V_R	5											V
Peak Forward Current (Duty 1/10 @1KHZ)	I_{PF}	150											mA
Operation Temperature	T_{OPR}	-40 to +80											°C
Storage Temperature	T_{STG}	-40 to +85											°C

Package configuration:



- 1.All dimensions are millimeters (inches)
- 2.Tolerance is $\pm 0.25\text{mm}$ (.010") unless otherwise noted.