



JSL-401 Series (4mm round ultra brightness LED diode)

Features:

- 1.Ultra brightness.
- 2.Choice of various viewing angles
- 3.IC compatible /Low current capability
- 4.Long life solid state reliability.
5. RoHs compliant.

Electrical and optical characteristics(Ta=25 ° c)

Part Number	Dice material And color	Lens color	Peak Wavelength	Vf(V) Typ	Iv(mcd)			Viewing Angle 2 θ 1/2
					Min	Typ	Max	
JSL-401URC	AlGaInP/Ultra Red	Water Clear	625nm	2.0	2000	2500	3500	25°
JSL-401UYC	AlGaInP/Ultra Yellow	Water Clear	590nm	2.0	2000	2500	3500	25°
JSL-401UGC	AlGaInP/Ultra Green	Water Clear	574nm	2.0	500	700	800	25°
JSL-401UAC	AlGaInP /Ultra Amber	Water Clear	610nm	2.0	2000	2500	3500	25°
JSL-401UBC	InGaN/Ultra Blue	Water Clear	470nm	3.2	3000	4000	5000	25°
JSL-401PGC	InGaN/Pure Green	Water Clear	525nm	3.2	10000	15000	20000	25°
JSL-401UVC	InGaN/Super Violet	Water Clear	400nm	3.2	200	400	600	25°
JSL-401UPC	InGaN/Super Pink	Water Clear	-----	3.2	2000	2500	3500	25°
JSL-401UWC	InGaN/Ultra White	Water clear	6000k	3.2	15000	20000	25000	25°
JSL-401WWC	InGaN/Ultra White	Water clear	6000k	3.2	15000	20000	25000	25°

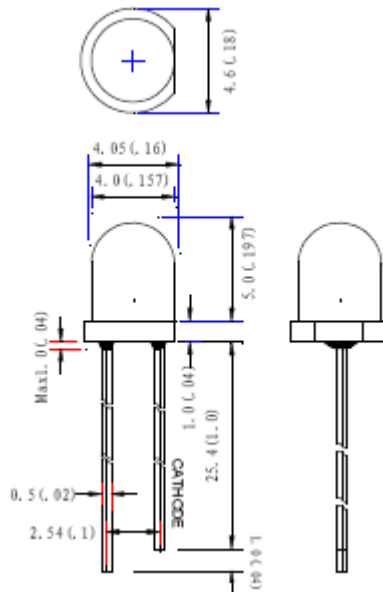


JSL-401 Series

Absolute Maximum Ratings at Ta=25°C

Parameter	Symbol	UR	UY	UG	UA	UB	BG	PG	UV	UP	UW	WW	Unit
Forward Current	I _F	25	25	25	25	30	30	30	30	30	30	30	mA
Power Dissipation	P _d	60	60	60	60	100	100	100	100	100	100	100	mW
Reverse Voltage	V _R	5											V
Peak Forward Current (Duty 1/10 @1KHZ)	I _{PF}	150											mA
Operation Temperature	T _{OPR}	-40 to +80											°C
Storage Temperature	T _{STG}	-40 to +85											°C

Package configuration:



- 1.All dimensions are millimeters (inches)
- 2.Tolerance is $\pm 0.25\text{mm}(.010\text{'})$ unless otherwise noted.