



## JSL-511 Series

(5mm oval ultra brightness LED diode)

### Features:

- 1.Ultra brightness.
- 2.Choice of various viewing angles
- 3.IC compatible /Low current capability
- 4.Long life solid state reliability.
5. RoHs compliant.

### Electrical and optical characteristics(Ta=25 °c)

Part Number	Dice material And color	Lens color	Peak Wavelength	Vf(V) Typ	Iv(mcd)			Viewing Angle 2 θ 1/2
					Min	Typ	Max	
JSL-511URD	AlGaInP/Ultra Red	Red Diffused	625nm	2.0	1000	1200	1800	90°/40°
JSL-511UYD	AlGaInP/Ultra Yellow	Yellow diffused	590nm	2.0	1000	1200	1800	90°/40°
JSL-511UBD	InGaN/Ultra Blue	Blue diffused	470nm	3.2	800	1000	1500	90°/40°
JSL-511PGD	InGaN/Pure Green	Green diffused	525nm	3.2	3000	4000	6000	90°/40°
JSL-511UWC	InGaN/Ultra White	Water Clear	6000K	3.2	8000	12000	18000	70°/35°
JSL-511UWD	InGaN/Ultra White	White Diffused	6000K	3.2	3500	4500	6000	90°/40°
JSL-511WWD	InGaN/Warm White	White Diffused	3000K	3.2	3000	4000	5000	90°/40°

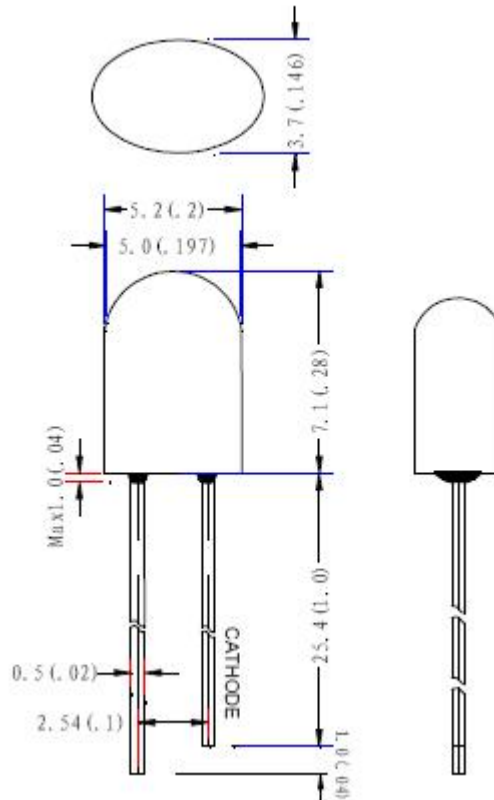


## JSL-511 Series (5mm oval ultra brightness LED diode)

### Absolute Maximum Ratings at Ta=25°C

Parameter	Symbol	UR	UY	UB	PG	UW	WW	Unit
Forward Current	I <sub>F</sub>	25	25	30	30	30	30	mA
Power Dissipation	P <sub>d</sub>	60	60	100	100	100	100	mW
Reverse Voltage	V <sub>R</sub>	5						V
Peak Forward Current (Duty 1/10 @1KHZ)	I <sub>PF</sub>	150						mA
Operation Temperature	T <sub>OPR</sub>	-40 to +80						°C
Storage Temperature	T <sub>STG</sub>	-40 to +85						°C

### Package configuration:



- 1.All dimensions are millimeters (inches)
- 2.Tolerance is  $\pm 0.25\text{mm}$ (.010") unless otherwise noted.