

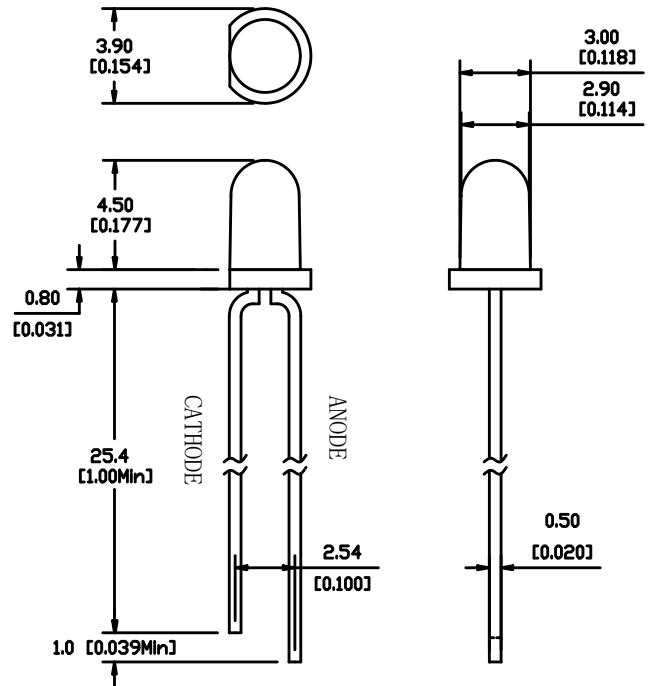


JSL-303IR Series(3mm round Infrared LED lamp)

Absolute Maximum Ratings at Ta=25°C

| Parameter | Symbol | Rating | Unit |
|---|------------------|------------|------|
| Forward Current | I _F | 25 | mA |
| Power Dissipation | P _d | 60 | mW |
| Reverse Voltage | V _R | 5 | V |
| Peak Forward Current (Duty 1/10 @1KHZ) | I _{PF} | 150 | mA |
| Operation Temperature | T _{OPR} | -40 to +80 | °C |
| Storage Temperature | T _{STG} | -40 to +85 | °C |

Package Dimensions:



Features:

- 1.Round Shape.
- 2.IC compatible /Low current capability
- 3.Long life solid state reliability.

Description:

- 1.These LED lamps are available with a choice of different colors, light intensities, epoxy color, etc
- 2.General application for indication,illumination,etc

Products List

| Part Number | Dice material And color | Lens color | Peak Wavelength | V _f (V) Typ | Aperture Radiant Incidence I _f =20mA | Viewing Angle 2 θ 1/2 |
|-------------|----------------------------|------------------|--------------------|------------------------------|--|-----------------------------|
| JSL-303IRAC | GaAlAs | Water Clear | 940nm | 1.50 | 30mW/sr | 30° |
| JSL-303IRBC | GaAlAs | Water Clear | 880nm | 1.35 | 60mW/sr | 30° |
| JSL-303IRCC | GaAlAs | Water Clear | 850nm | 1.45 | 80mW/sr | 30° |
| JSL-303IRAB | GaAlAs | Blue Transparent | 940nm | 1.50 | 30mW/sr | 30° |
| JSL-303IRBB | GaAlAs | Blue Transparent | 880nm | 1.35 | 60mW/sr | 30° |
| JSL-303IRCB | GaAlAs | Blue Transparent | 850nm | 1.45 | 80mW/sr | 30° |