

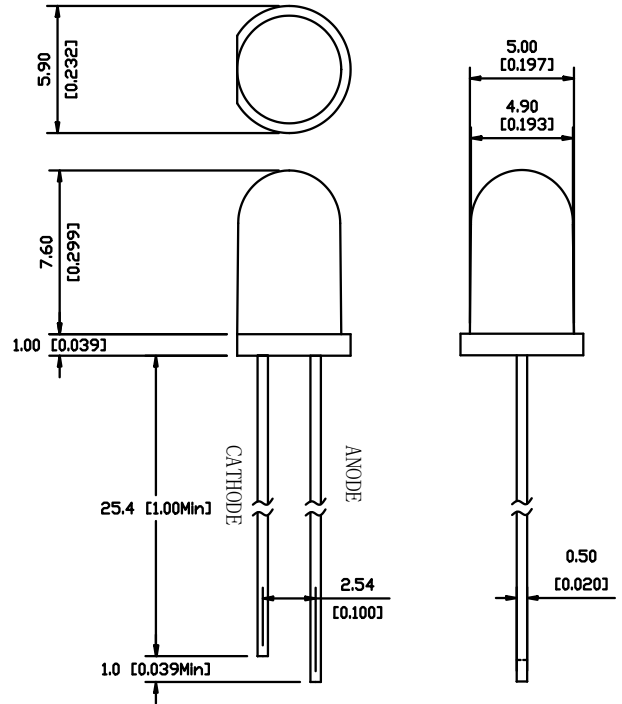


JSL-502IR Series(5mm round Infrared LED lamp)

Absolute Maximum Ratings at Ta=25°C

Parameter	Symbol	Rating	Unit
Forward Current	I _F	25	mA
Power Dissipation	P _d	60	mW
Reverse Voltage	V _R	5	V
Peak Forward Current (Duty 1/10 @1KHZ)	I _{PF}	150	mA
Operation Temperature	T _{OPR}	-40 to +80	°C
Storage Temperature	T _{STG}	-40 to +85	°C

Package Dimensions:



Features:

- 1.Round Shape.
- 2.IC compatible /Low current capability
- 3.Long life solid state reliability.

Description:

- 1.These LED lamps are available with a choice of different colors, light intensities, epoxy color, etc
- 2.General application for indication,illumination,etc

Products List

Part Number	Dice material And color	Lens color	Peak Wavelength	V _f (V) Typ	Aperture Radiant Incidence I _f =20mA	Viewing Angle 2 θ 1/2
JSL-502IRAC	GaAlAs	Water Clear	940nm	1.50	30mW/sr	30°
JSL-502IRBC	GaAlAs	Water Clear	880nm	1.35	60mW/sr	30°
JSL-502IRCC	GaAlAs	Water Clear	850nm	1.45	80mW/sr	30°
JSL-502IRAB	GaAlAs	Blue Transparent	940nm	1.50	30mW/sr	30°
JSL-502IRBB	GaAlAs	Blue Transparent	880nm	1.35	60mW/sr	30°
JSL-502IRCB	GaAlAs	Blue Transparent	850nm	1.45	80mW/sr	30°