



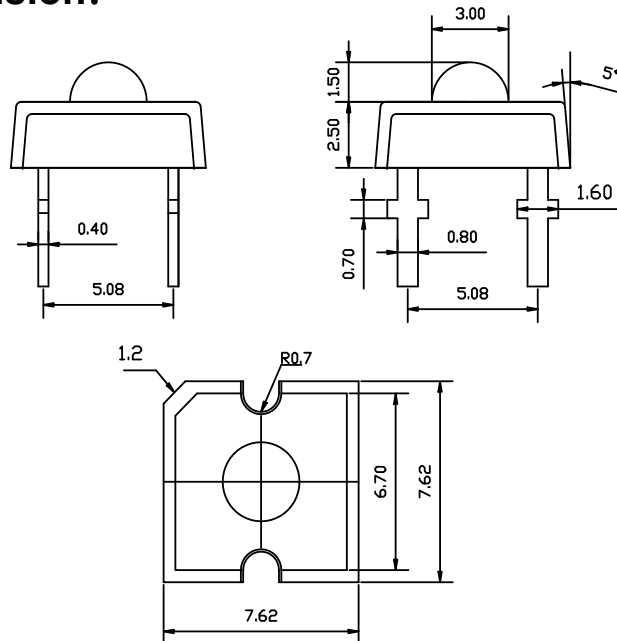
**Features:**

- Single color
- High bright output
- Low power consumption
- High reliability and long life

**Descriptions:**

- Dice material: AlGaInP
- Emitting Color: Super Bright White
- Device Outline:  $\phi$  3mm LED Flux
- Lens Type: Water Clear

**Package dimension:**



**NOTES:**

- 1.All dimensions are in millimeters (inches).
- 2.Tolerance is  $\pm 0.10$ mm (0.004") unless otherwise specified.



Part No.: JSL-1860UWC

**Absolute maximum ratings (Ta = 25°C)**

Parameter	Symbol	Test Condition	Values		Unit
			Min.	Max.	
Reverse Voltage	V <sub>R</sub>	I <sub>R</sub> = 30 μ A	5	--	V
Forward Current	I <sub>F</sub>	----	----	30	mA
Power Dissipation	P <sub>d</sub>	----	----	75	mW
Pulse Current	I <sub>peak</sub>	Duty=0.1mS, 1kHz	----	100	mA
Operating Temperature	T <sub>opr</sub>	----	-40	+85	°C
Storage Temperature	T <sub>str</sub>	----	-40	+100	°C

**Electrical and optical characteristics (Ta = 25°C)**

Parameter	Symbol	Test Condition	Values			Unit
			Min.	Typ.	Max.	
Forward Voltage 正向电压	V <sub>F</sub>	I <sub>F</sub> =20mA	----	3.2	3.4	V
Reverse Current	I <sub>R</sub>	V <sub>R</sub> =5V	----	----	30	μ A
Color Temperature	λ <sub>d</sub>	I <sub>F</sub> =20mA	6000	6500	7000	K
Luminous Intensity	I <sub>v</sub>	I <sub>F</sub> =20mA	2000	2500	3000	mcd
Viewing Angle	2 θ 1/2	I <sub>F</sub> =20mA	----	60	----	deg.

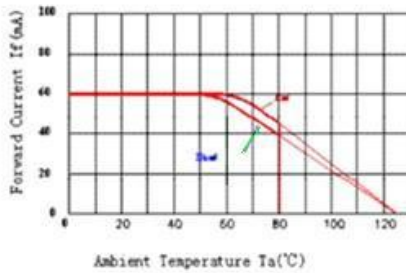


Part No.: JSL-1860UWC

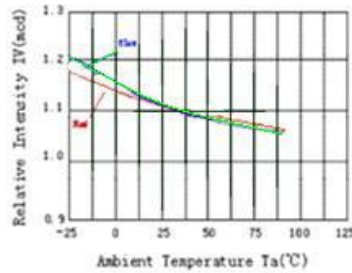
Typical electrical/optical characteristic curves:

典型的光-电曲线图:

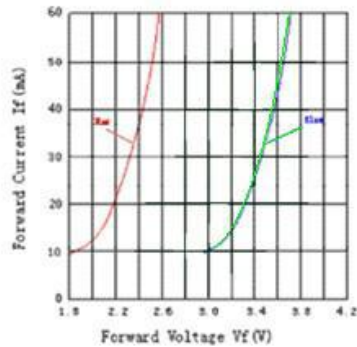
Forward Current vs. Ambient Temperature



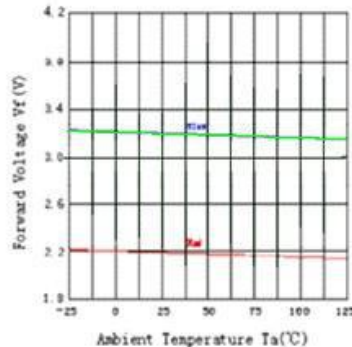
Relative Intensity IV(mod) vs. Ambient Temperature



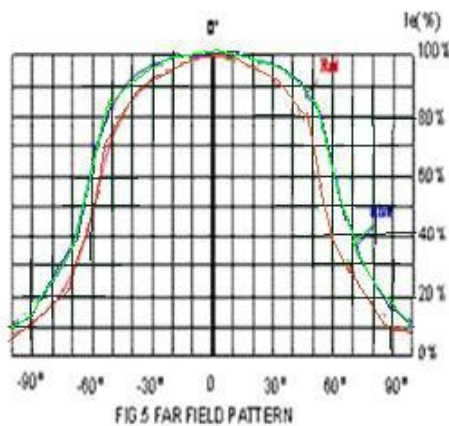
Forward Current vs. Forward Voltage



Forward Voltage Vf (V) vs. Ambient Temperature



50% Power Angle: 115°



Luminous Spectrum (Ta=25°C) SPECTRAL RADIANCE

