

Ningbo Junsheng Electronics Co.,Ltd.

4.00"(101.60mm)Single Digit 7 Segment Display

Features:

- *Ultra segment intensity
- *Wide viewing angle
- *Range of colors
- *Gray face White segment
- *RoHS compliant

Available option:

- *Alternative face and segment color
- *Alternative font
- *Cropped terminal pins
- *Available emitting color
- *Low current version

Electro/Optical Characteristics If=20mA Ta=25°C

Part Number Common Cathode	Part Number Common Anode	Emitting Color	Peak Wavelength	Forward Voltage V _F		Luminous Intensity I _v	
				Typ.	Max.	Min.	Typ.
JS1-40011AUR-21	JS1-40011BUR-21	AlGaInP/GaAs Super Red	630	2.00	2.50	50.00	100.00
JS1-40011AUE-21	JS1-40011BUE-21	AlGaInP/GaAs Ultra Red	625	2.00	2.50	230.00	380.00
JS1-40011AUA-21	JS1-40011BUA-21	AlGaInP/GaAs Ultra Amber	605	2.00	2.50	200.00	300.00
JS1-40011AUY-21	JS1-40011BUY-21	AlGaInP/GaAs Ultra Yellow	590	2.00	2.50	200.00	300.00
JS1-40011AUG-21	JS1-40011BUG-21	AlGaInP/GaAs Yellow Green	574	2.10	2.50	50.00	75.00
JS1-40011APG-21	JS1-40011BPG-21	InGaN/SiC Pure Green	525	3.30	3.80	750.00	1000.00
JS1-40011AUB-21	JS1-40011BUB-21	InGaN/SiC Ultra Blue	470	3.30	3.80	200.00	250.00
JS1-40011AUW-21	JS1-40011BUW-21	InGaN/SiC Ultra White	X-0.31/Y-0.31	3.30	3.80	1000.00	2000.00
Units			nm	V		mcd	

Maximum Ratings Ta=25°C (Derate above 25°C)

Characteristic	Test Condition	Symbol	UR	UE	UA	UY	UG	PG	UB	UW	Units
Pulse Forward Current Per Seg.	1/10 duty cycle 0.1ms Pulse width	I _{FP}	100	100	100	100	100	100	100	100	mA
DC Forward Current Per Seg.		I _F	30	30	30	30	30	30	30	30	mA
Reverse Current Per Seg.	V _R =5V	I _R	10	10	10	10	10	10	10	10	μA
Power Dissipation		P _D	36	40	42	42	44	66	66	66	mW
Operating Temperature		T _{OPR}	-40 to +80								°C
Storage Temperature		T _{TSG}	-40 to +85								°C
Lead soldering temperature	1.60mm from body maximum 3 seconds		260								°C

Checked

Becky Sun

Approved

Jason Lou

Date

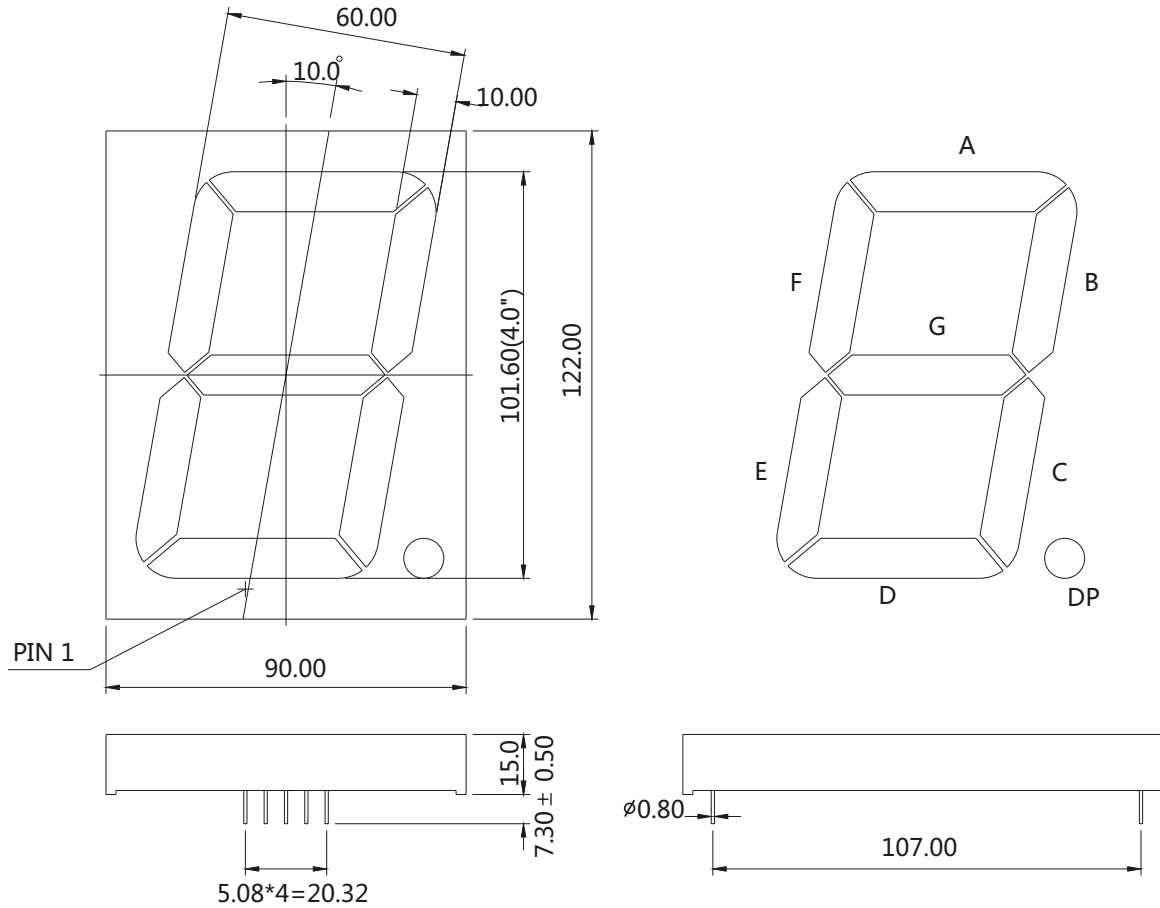
Aug/14/2013

PAGE 1 / 2

Ningbo Junsheng Electronics Co.,Ltd.

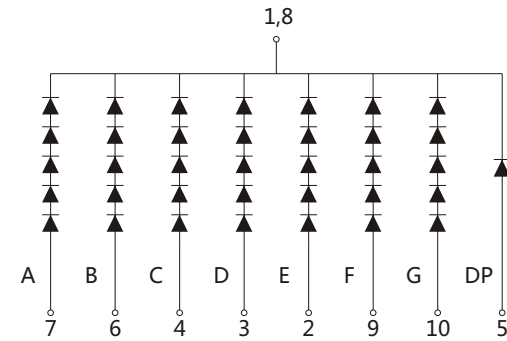
4.00"(101.60mm)Single Digit 7 Segment Display

PACKAGE DIMENSION

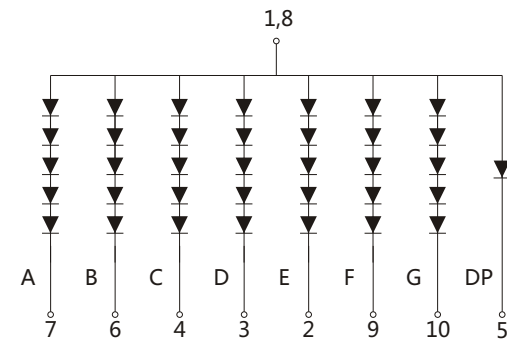


INTERNAL CIRCUIT DIAGRAM

Common Cathode
JS1-40011Ax



Common Anode
JS1-40011Bx



Tolerance ± 0.25 mm unless stated

Checked

Becky Sun

Approved

Jason Lou

Date

Aug/14/2013

PAGE 2 /2