

# Ningbo Junsheng Electronics Co.,Ltd.

## 4.00"(101.60mm)Single Digit 7 Segment Display

### Features:

- \*Ultra segment intensity
- \*Wide viewing angle
- \*Range of colors
- \*Gray face White segment
- \*RoHS compliant

### Available option:

- \*Alternative face and segment color
- \*Alternative font
- \*Cropped terminal pins
- \*Available emitting color
- \*Low current version

### Electro/Optical Characteristics If=20mA Ta=25°C

Part Number Common Cathode	Part Number Common Anode	Emitting Color	Peak Wavelength	Forward Voltage V <sub>F</sub>		Luminous Intensity I <sub>v</sub>	
				Typ.	Max.	Min.	Typ.
JS1-40011EUR-21	JS1-40011FUR-21	AlGaInP/GaAs Super Red	630	2.00	2.50	80.00	160.00
JS1-40011EUE-21	JS1-40011FUE-21	AlGaInP/GaAs Ultra Red	625	2.00	2.50	360.00	600.00
JS1-40011EUA-21	JS1-40011FUA-21	AlGaInP/GaAs Ultra Amber	605	2.00	2.50	320.00	480.00
JS1-40011EUY-21	JS1-40011FUY-21	AlGaInP/GaAs Ultra Yellow	590	2.00	2.50	320.00	480.00
JS1-40011EUG-21	JS1-40011FUG-21	AlGaInP/GaAs Yellow Green	574	2.10	2.50	80.00	120.00
JS1-40011EPG-21	JS1-40011FPG-21	InGaN/SiC Pure Green	525	3.30	3.80	1200.00	1600.00
JS1-40011EUB-21	JS1-40011FUB-21	InGaN/SiC Ultra Blue	470	3.30	3.80	300.00	400.00
JS1-40011EUW-21	JS1-40011FUW-21	InGaN/SiC Ultra White	X-0.31/Y-0.31	3.30	3.80	1600.00	3200.00
Units			nm	V		mcd	

### Maximum Ratings Ta=25°C (Derate above 25°C)

Characteristic	Test Condition	Symbol	UR	UE	UA	UY	UG	PG	UB	UW	Units
Pulse Forward Current Per Seg.	1/10 duty cycle 0.1ms Pulse width	I <sub>FP</sub>	100	100	100	100	100	100	100	100	mA
DC Forward Current Per Seg.		I <sub>F</sub>	30	30	30	30	30	30	30	30	mA
Reverse Current Per Seg.	V <sub>R</sub> =5V	I <sub>R</sub>	10	10	10	10	10	10	10	10	μA
Power Dissipation		P <sub>D</sub>	36	40	42	42	44	66	66	66	mW
Operating Temperature		T <sub>OPR</sub>	-40 to +80								°C
Storage Temperature		T <sub>TSG</sub>	-40 to +85								°C
Lead soldering temperature	1.60mm from body maximum 3 seconds		260								°C

Checked

Becky Sun

Approved

Jason Lou

Date

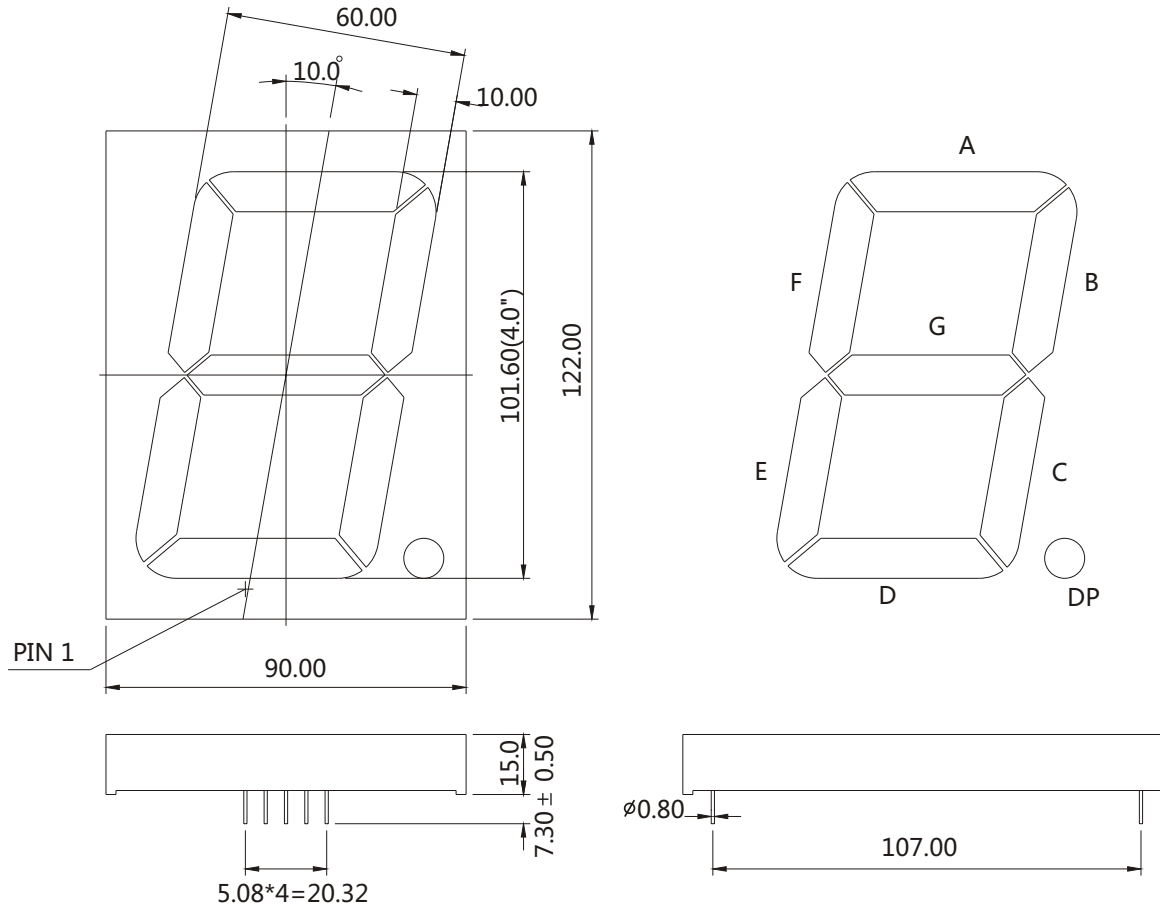
Aug/14/2013

PAGE 1 / 2

# Ningbo Junsheng Electronics Co.,Ltd.

## 4.00"(101.60mm)Single Digit 7 Segment Display

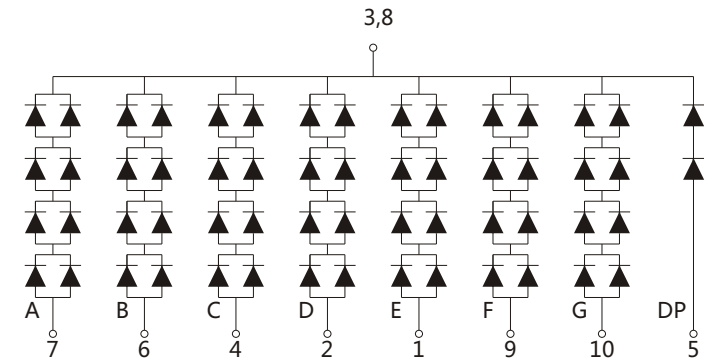
### PACKAGE DIMENSION



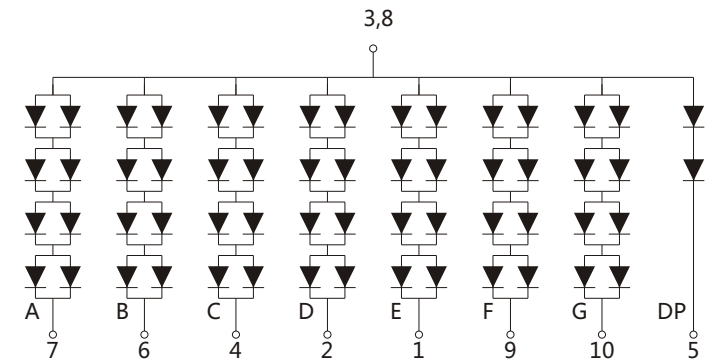
Tolerance  $\pm 0.25$ mm unless stated

### INTERNAL CIRCUIT DIAGRAM

#### Common Cathode JS1-40011Ex



#### Common Anode JS1-40011Fx



Checked

Becky Sun

Approved

Jason Lou

Date

Aug/14/2013

PAGE 2 /2