

# Ningbo Junsheng Electronics Co.,Ltd.

## 4.00"(101.60mm)Single Digit 7 Segment Display

### Features:

- \*Ultra segment intensity
- \*Wide viewing angle
- \*Range of colors
- \*Gray face White segment
- \*RoHS compliant

### Available option:

- \*Alternative face and segment color
- \*Alternative font
- \*Cropped terminal pins
- \*Available emitting color
- \*Low current version

### Electro/Optical Characteristics If=20mA Ta=25°C

Part Number Common Cathode	Part Number Common Anode	Emitting Colors	Peak Wavelength	Forward Voltage V		Luminous Intensity Iv	
				Typ.	Max.	Min.	Typ.
JS1-40011AURUG-21	JS1-40011BURUG-21	AlGaInP/GaAs Super Red	630	2.00	2.50	80.00	160.00
		AlGaInP/GaAs Yellow Green	574	2.10	2.50	80.00	120.00
JS1-40011AUEUG-21	JS1-40011BUEUG-21	AlGaInP/GaAs Ultra Red	625	2.00	2.50	360.00	600.0
		AlGaInP/GaAs Yellow Green	574	2.10	2.50	80.00	120.00
JS1-40011AUEUB-21	JS1-40011BUEUB-21	AlGaInP/GaAs Ultra Red	625	2.00	2.50	360.00	600.0
		InGaN/SiC Ultra Blue	470	3.30	3.80	300.00	400.0
Units			nm	V		mcd	

### Maximum Ratings Ta=25 C (Derate above 25 C)

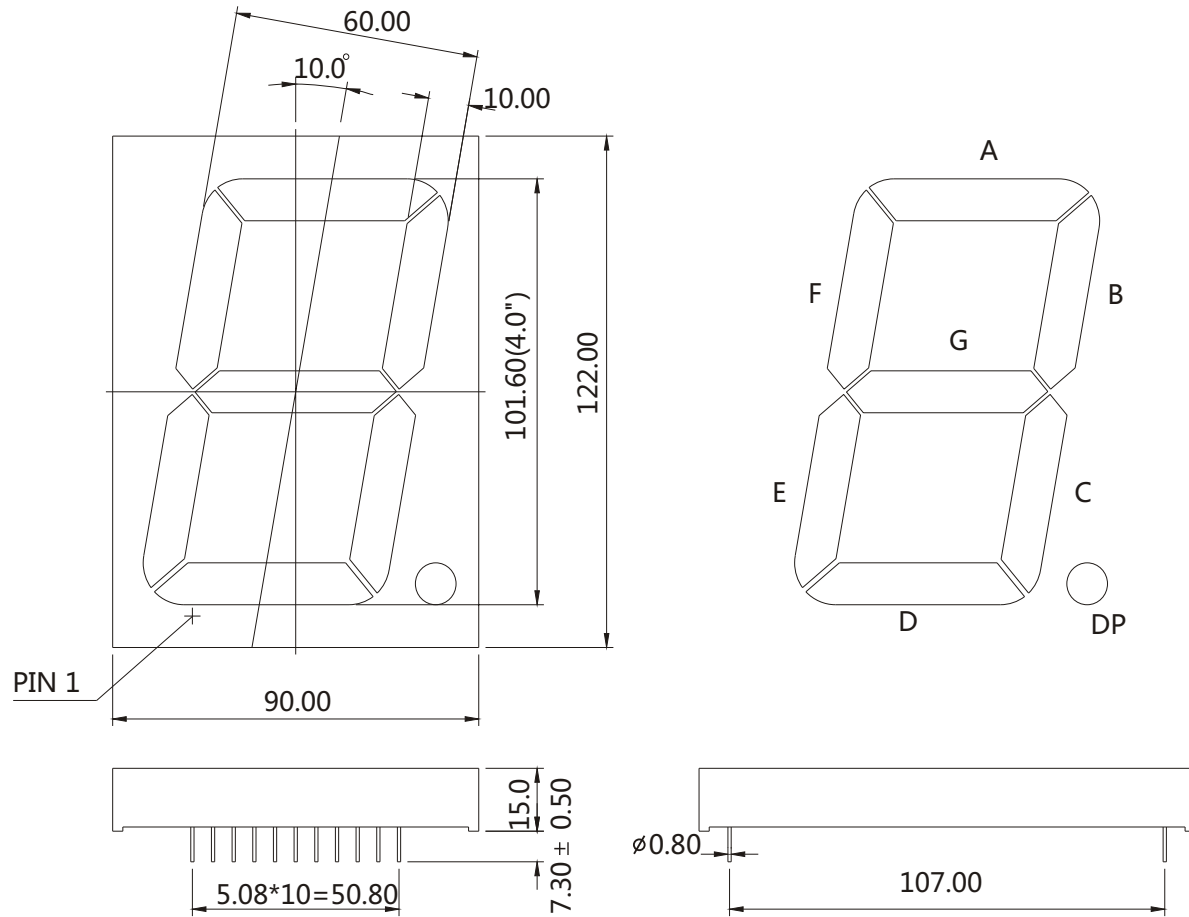
Characteristic	Test Condition	Symbol	UR	UE	UG	UB	Units
Pulse Forward Current Per Seg.	1/10 duty cycle 0.1ms Pulse width	I <sub>FP</sub>	100	100	100	100	mA
DC Forward Current Per Seg.		I <sub>F</sub>	30	30	30	30	mA
Reverse Current Per Seg.	V <sub>R</sub> =5V	I <sub>R</sub>	10	10	10	10	μA
Power Dissipation		P <sub>D</sub>	36	40	44	66	mW
Operating Temperature		T <sub>OPR</sub>	-40 to +80				°C
Storage Temperature		T <sub>TSG</sub>	-40 to +85				°C
Lead soldering temperature	1.60mm from body maximum 3 seconds		260				°C

Checked	Becky Sun	Approved	Jason Lou	Date	Aug/14/2013	PAGE 1 / 2
---------	-----------	----------	-----------	------	-------------	------------

# Ningbo Junsheng Electronics Co.,Ltd.

## 4.00"(101.60mm)Single Digit 7 Segment Display

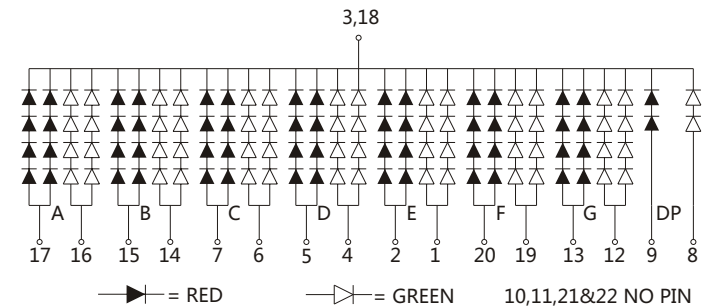
### PACKAGE DIMENSION



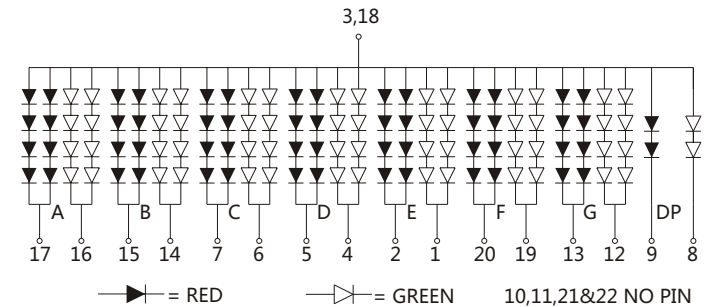
Tolerance  $\pm 0.25$ mm unless stated

### INTERNAL CIRCUIT DIAGRAM

#### Common Cathode JS1-40011Axx



#### Common Anode JS1-40011Bxx



Checked

Becky Sun

Approved

Jason Lou

Date

Aug/14/2013

PAGE 2 /2