

# Ningbo Junsheng Electronics Co.,Ltd.

## 25.4mm X 10.1mm 10 Segment Single Color Light Bar

### Features:

- \*Ultra segment intensity
- \*Wide viewing angle
- \*Range of colors
- \*Black face White segment
- \*RoHS compliant

### Available option:

- \*Alternative face and segment color
- \*Alternative font
- \*Cropped terminal pins
- \*Available emitting color
- \*Low current version

### Electro/Optical Characteristics If=20mA Ta=25°C

|       | Part Number      | Emitting Color            | Peak Wavelength | Forward Voltage V <sub>F</sub> |      | Luminous Intensity I <sub>v</sub> |        |
|-------|------------------|---------------------------|-----------------|--------------------------------|------|-----------------------------------|--------|
|       |                  |                           |                 | Typ.                           | Max. | Min.                              | Typ.   |
|       | JSA-102510ZUR-11 | AlGaInP/GaAs Super Red    | 630             | 2.00                           | 2.50 | 10.00                             | 20.00  |
|       | JSA-102510ZUE-11 | AlGaInP/GaAs Ultra Red    | 625             | 2.00                           | 2.50 | 40.00                             | 80.00  |
|       | JSA-102510ZUA-11 | AlGaInP/GaAs Ultra Amber  | 605             | 2.00                           | 2.50 | 40.00                             | 60.00  |
|       | JSA-102510ZUY-11 | AlGaInP/GaAs Ultra Yellow | 590             | 2.00                           | 2.50 | 40.00                             | 60.00  |
|       | JSA-102510ZUG-11 | AlGaInP/GaAs Yellow Green | 574             | 2.10                           | 2.50 | 10.00                             | 15.00  |
|       | JSA-102510ZPG-11 | InGaN/SiC Pure Green      | 525             | 3.30                           | 3.80 | 150.00                            | 200.00 |
|       | JSA-102510ZUB-11 | InGaN/SiC Ultra Blue      | 470             | 3.30                           | 3.80 | 40.00                             | 50.00  |
|       | JSA-102510ZUW-11 | InGaN/SiC Ultra White     | X-0.31/Y-0.31   | 3.30                           | 3.80 | 200.00                            | 400.00 |
| Units |                  |                           | nm              | V                              |      | mcd                               |        |

### Maximum Ratings Ta=25°C (Derate above 25°C)

| Characteristic                 | Test Condition                     | Symbol           | UR         | UE  | UA  | UY  | UG  | PG  | UB  | UW  | Units |
|--------------------------------|------------------------------------|------------------|------------|-----|-----|-----|-----|-----|-----|-----|-------|
| Pulse Forward Current Per Seg. | 1/10 duty cycle 0.1ms Pulse width  | I <sub>FP</sub>  | 100        | 100 | 100 | 100 | 100 | 100 | 100 | 100 | mA    |
| DC Forward Current Per Seg.    |                                    | I <sub>F</sub>   | 30         | 30  | 30  | 30  | 30  | 30  | 30  | 30  | mA    |
| Reverse Current Per Seg.       | V <sub>R</sub> =5V                 | I <sub>R</sub>   | 10         | 10  | 10  | 10  | 10  | 10  | 10  | 10  | μA    |
| Power Dissipation              |                                    | P <sub>D</sub>   | 36         | 40  | 42  | 42  | 44  | 66  | 66  | 66  | mW    |
| Operating Temperature          |                                    | T <sub>OPR</sub> | -40 to +80 |     |     |     |     |     |     |     | °C    |
| Storage Temperature            |                                    | T <sub>TSG</sub> | -40 to +85 |     |     |     |     |     |     |     | °C    |
| Lead soldering temperature     | 1.60mm from body maximum 3 seconds |                  | 260        |     |     |     |     |     |     |     | °C    |

Checked

Becky Sun

Approved

Jason Lou

Date

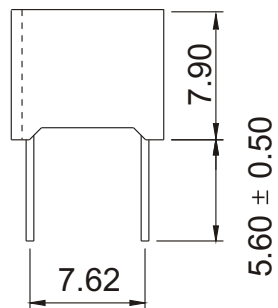
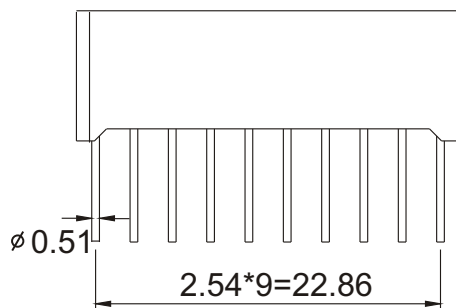
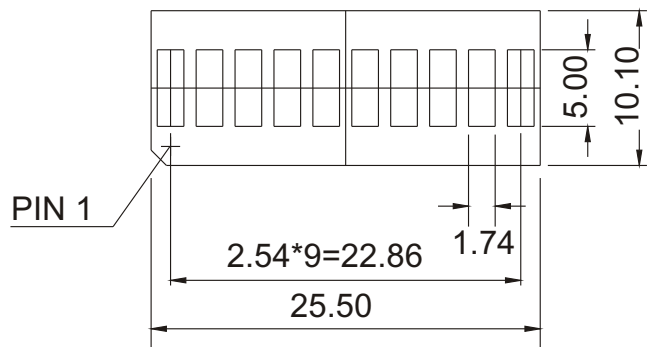
Aug/14/2013

PAGE 1 / 2

# Ningbo Junsheng Electronics Co.,Ltd.

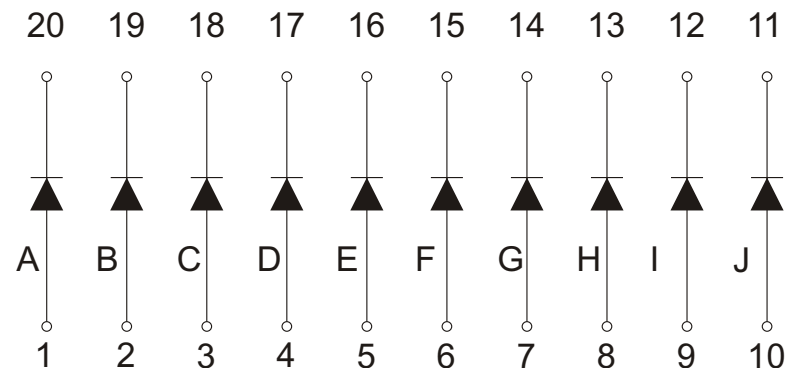
25.4mm X 10.1mm 10 Segment Single Color Light Bar

## PACKAGE DIMENSION



## INTERNAL CIRCUIT DIAGRAM

JSA-1025101Zx



Tolerance  $\pm 0.25$ mm unless stated

Checked

Becky Sun

Approved

Jason Lou

Date

Aug/14/2013

PAGE 2 /2