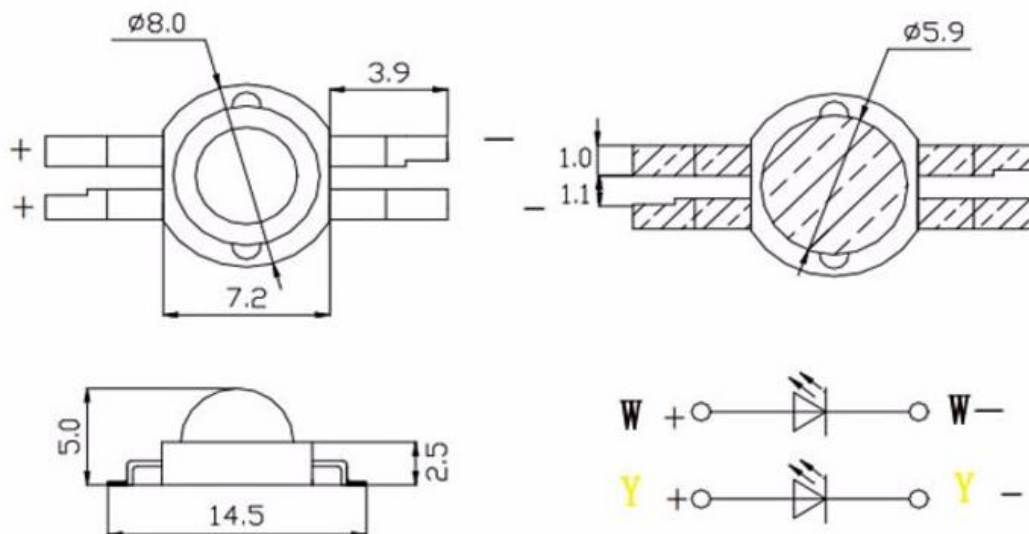


Features:

- Highest Flux White
- High reliability and Very long operating life
(up to 100K hours)
- Low voltage DC operated
- More Energy Efficient than Incandescent
and most Halogen lamps
- NO UV
- Superior ESD protection

Package Dimensions(mm)



NOTE:

- All dimensions are millimeter.
- Tolerance is ± 0.25 mm unless otherwise noted



Ningbo Junsheng Electronics Co.,LTD.

Part No.: JSL-3W-YW

Absolute maximum ratings (Ta = 25°C)

Parameter	Symbol	Test Condition	Value		Unit
			Min.	Max.	
DC Forward Current	IF	----	----	700	mA
Peak Pulse Current	Ipeak	Duty=0.1, 1kHz	----	1000	mA
Power Dissipation	Pd	----	----	6	W
LED Junction Temperature	Tj	----	----	120	°C
Operating Temperature	Topr	----	-25	+100	°C
Storage Temperature	Tstr	----	-40	+120	°C
ESD Sensitivity	---	HBM	8000	----	V
Soldering Temperature	---	----	260°C for 5 Seconds max		

Electrical and optical characteristics (Ta = 25°C)

Parameter	Symbol	Test Condition	Color	Value			Unit
				Min.	Typ.	Max.	
Forward Voltage	VF	IF = 700mA	White	3.0	----	3.6	V
			Yellow	2.0	----	2.6	
Luminous Flux	Φv	IF = 700mA	White	200	----	220	lm
			Yellow	60	----	75	
Color Temperature	CCT	IF = 700mA	White	6000	----	7000	K
Dominate Wavelength	λd		Yellow	588	----	595	nm
Viewing Angle	2θ 1/2	IF = 700mA		----	120	----	Deg



Typical Electro-Optical Characteristics Curves

Fig.1 Relative intensity Vs. Wavelength

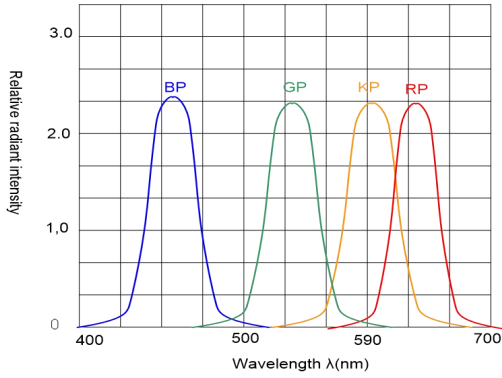


Fig.2 Forward current Vs. Forward voltage

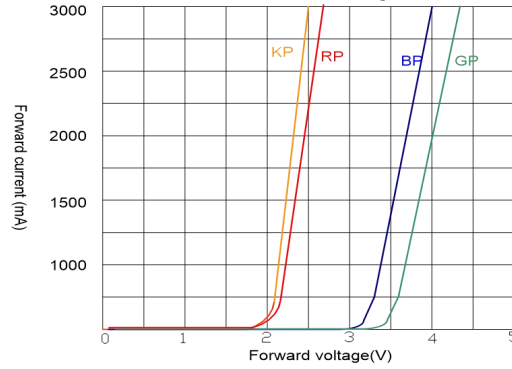


Fig.3 Relative luminous intensity Vs. Forward current

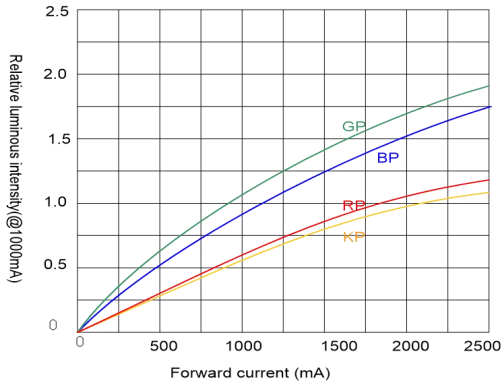
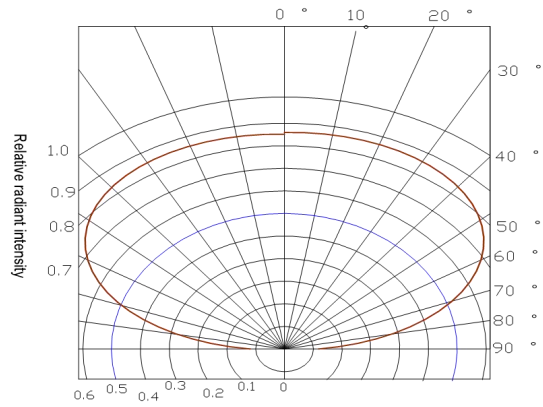


Fig.4 Radiation diagram



Lumen depression curve

