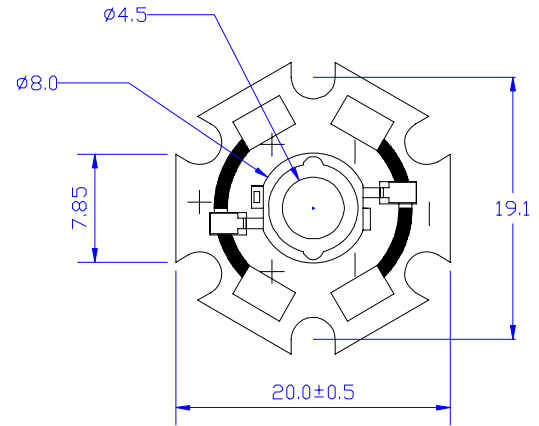


Part No.: JSLs-1W-UR

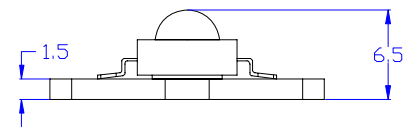
Features:

- Highest Flux Red
- High reliability and Very long operating life (up to 100K hours)
- Low voltage DC operated
- More Energy Efficient than Incandescent and most Halogen lamps
- NO UV
- Superior ESD protection



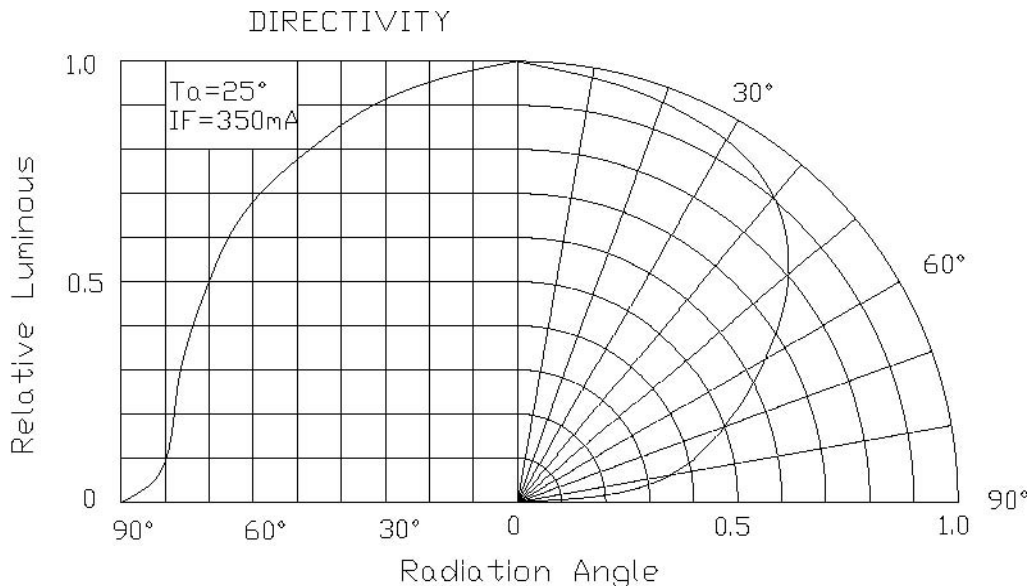
Typical Applications:

- Reading lights(car,bus,aircraft)
- Portable(flashlight,bicycle)
- Automotive Exterior(Stop-Tail-Turn, CHMSL,Mirror Side Repeat)
- Decorative



NOTE:

- All dimensions are millimeter.
- Tolerance is $\pm 0.25\text{mm}$ unless otherwise noted





Ningbo Junsheng Electronics Co.,LTD.

Part No.: JSL5-1W-UR

Absolute maximum ratings (Ta = 25°C)

Parameter	Symbol	Test Condition	Value		Unit
			Min.	Max.	
DC Forward Current	I _F	----	----	350	mA
Peak Pulse Current	I _{peak}	Duty=0.1, 1kHz	----	500	mA
Power Dissipation	P _d	----	----	1.2	W
LED Junction Temperature	T _j	----	----	120	°C
Operating Temperature	T _{opr}	----	-25	+100	°C
Storage Temperature	T _{str}	----	-40	+120	°C
ESD Sensitivity	---	HBM	8000	----	V
Soldering Temperature	---	----	260°C for 5 Seconds max		

Electrical and optical characteristics (Ta = 25°C)

Parameter	Symbol	Test Condition	Value			Unit
			Min.	Typ.	Max.	
Forward Voltage	V _F	I _F = 350mA		2.3	2.6	V
Luminous Flux	Φ _v	I _F = 350mA	30	45	----	lm
Viewing Angle	2θ 1/2	I _F = 350mA	----	120	----	Deg.
Dominate Wavelength	λ _d	I _F = 350mA	620	----	630	nm