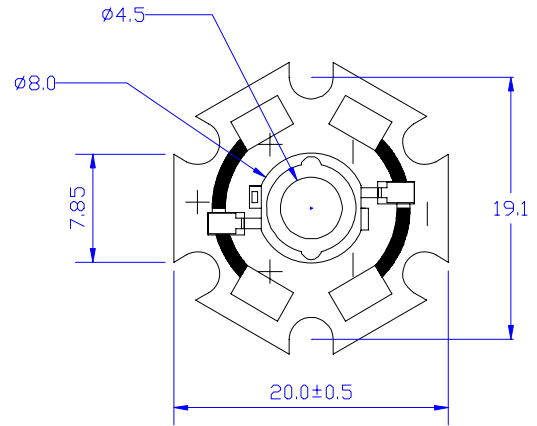


Part No.: JLSL-1W-NW

Features:

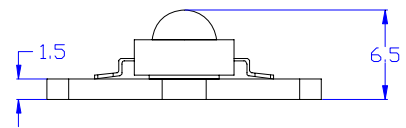
- Highest Flux White
- High reliability and Very long operating life (up to 100K hours)
- Low voltage DC operated
- More Energy Efficient than Incandescent and most Halogen lamps
- NO UV
- Superior ESD protection



Anode(+)  CathODE(-)

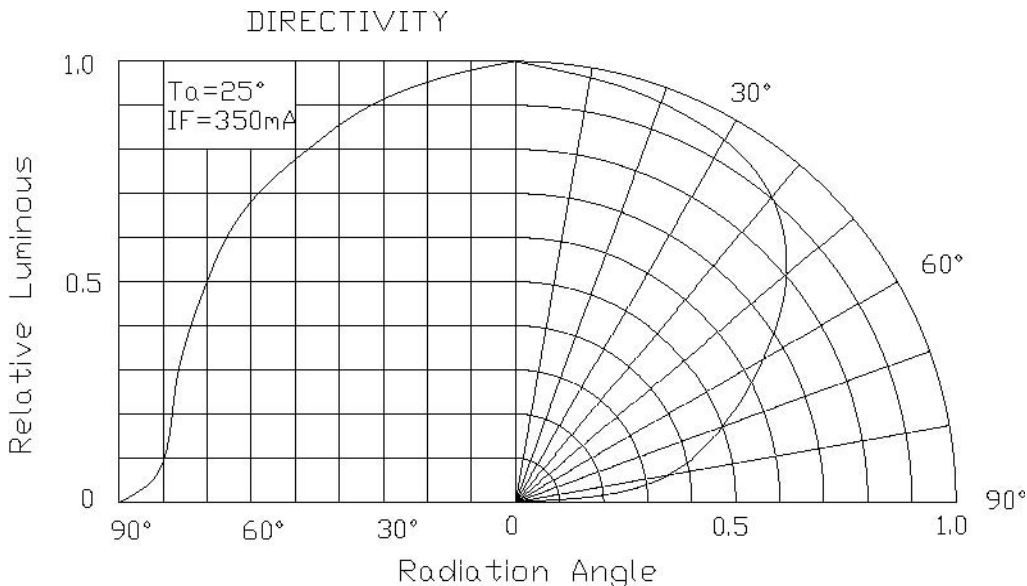
Typical Applications:

- Reading lights(car,bus,aircraft)
- Portable(flashlight,bicycle)
- Automotive Exterior(Stop-Tail-Turn, CHMSL,Mirror Side Repeat)
- Decorative



NOTE:

- All dimensions are millimeter.
- Tolerance is $\pm 0.25\text{mm}$ unless otherwise noted





Ningbo Junsheng Electronics Co.,LTD.

Part No.: JLS-1W-NW

Absolute maximum ratings (Ta = 25°C)

| Parameter | Symbol | Test Condition | Value | | Unit |
|--------------------------|--------|----------------|-------------------------|------|------|
| | | | Min. | Max. | |
| DC Forward Current | IF | ---- | ---- | 350 | mA |
| Peak Pulse Current | Ipeak | Duty=0.1, 1kHz | ---- | 500 | mA |
| Power Dissipation | Pd | ---- | ---- | 1.2 | W |
| LED Junction Temperature | Tj | ---- | ---- | 120 | °C |
| Operating Temperature | Topr | ---- | -25 | +100 | °C |
| Storage Temperature | Tstr | ---- | -40 | +120 | °C |
| ESD Sensitivity | --- | HBM | 8000 | ---- | V |
| Soldering Temperature | --- | ---- | 260°C for 5 Seconds max | | |

Electrical and optical characteristics (Ta = 25°C)

| Parameter | Symbol | Test Condition | Value | | | Unit |
|-------------------|--------|----------------|-------|------|------|------|
| | | | Min. | Typ. | Max. | |
| Forward Voltage | VF | IF = 350mA | 3.0 | 3.2 | 3.6 | V |
| Luminous Flux | Φv | IF = 350mA | 100 | 110 | ---- | lm |
| Viewing Angle | 2θ 1/2 | IF = 350mA | ---- | 120 | ---- | Deg. |
| Color Temperature | CCT | IF = 350mA | ---- | 4000 | ---- | K |