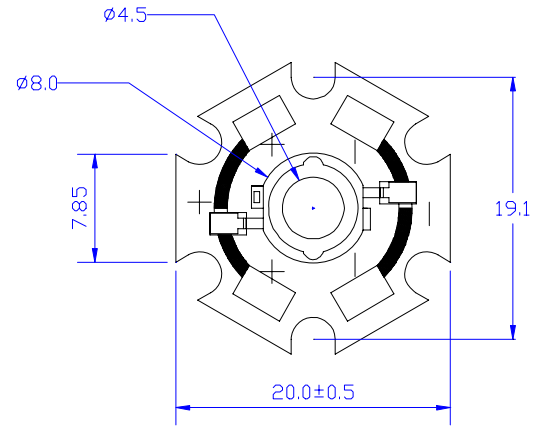


**Part No.: JSLs-3W-UB**

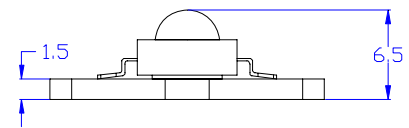
**Features:**

- Highest Flux Blue
- High reliability and Very long operating life (up to 100K hours)
- Low voltage DC operated
- More Energy Efficient than Incandescent and most Halogen lamps
- NO UV
- Superior ESD protection



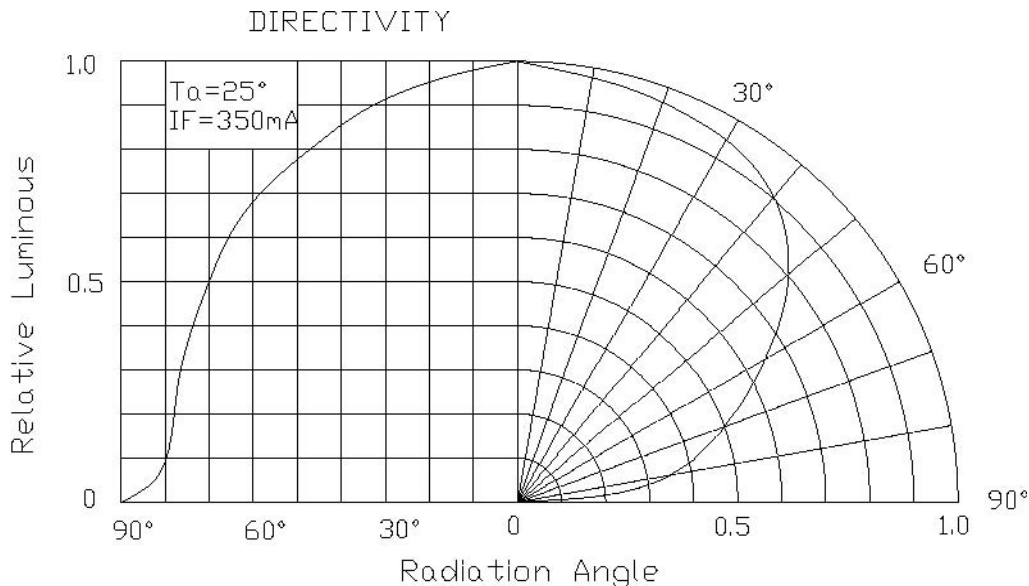
**Typical Applications:**

- Reading lights(car,bus,aircraft)
- Portable(flashlight,bicycle)
- Automotive Exterior(Stop-Tail-Turn, CHMSL,Mirror Side Repeat)
- Decorative



**NOTE:**

- All dimensions are millimeter.
- Tolerance is  $\pm 0.25\text{mm}$  unless otherwise noted





# Ningbo Junsheng Electronics Co.,LTD.

**Part No.: JSL5-3W-UB**

## Absolute maximum ratings (Ta = 25°C)

Parameter	Symbol	Test Condition	Value		Unit
			Min.	Max.	
DC Forward Current	I <sub>F</sub>	----	----	700	mA
Peak Pulse Current	I <sub>peak</sub>	Duty=0.1, 1kHz	----	1000	mA
Power Dissipation	P <sub>d</sub>	----	----	3.0	W
LED Junction Temperature	T <sub>j</sub>	----	----	120	°C
Operating Temperature	T <sub>opr</sub>	----	-25	+100	°C
Storage Temperature	T <sub>str</sub>	----	-40	+120	°C
ESD Sensitivity	---	HBM	8000	----	V
Soldering Temperature	---	----	260°C for 5 Seconds max		

## Electrical and optical characteristics (Ta = 25°C)

Parameter	Symbol	Test Condition	Value			Unit
			Min.	Typ.	Max.	
Forward Voltage	V <sub>F</sub>	I <sub>F</sub> = 700mA	---	3.6	4.0	V
Luminous Flux	Φ <sub>v</sub>	I <sub>F</sub> = 700mA	25	35	----	lm
Viewing Angle	2θ 1/2	I <sub>F</sub> = 700mA	----	120	----	Deg.
Dominate Wavelength	λ <sub>d</sub>	I <sub>F</sub> = 700mA	460	----	470	nm