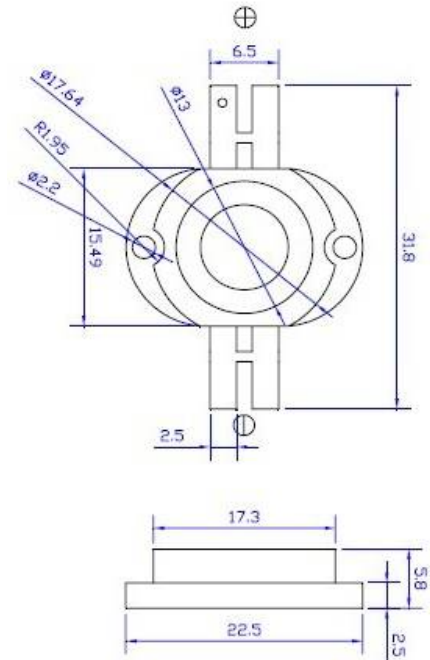


## Part No.: JSL-5W-NW

### Features:

- Highest Flux White
- High reliability and Very long operating life (up to 100K hours)
- Low voltage DC operated
- More Energy Efficient than Incandescent and most Halogen lamps
- NO UV
- Superior ESD protection

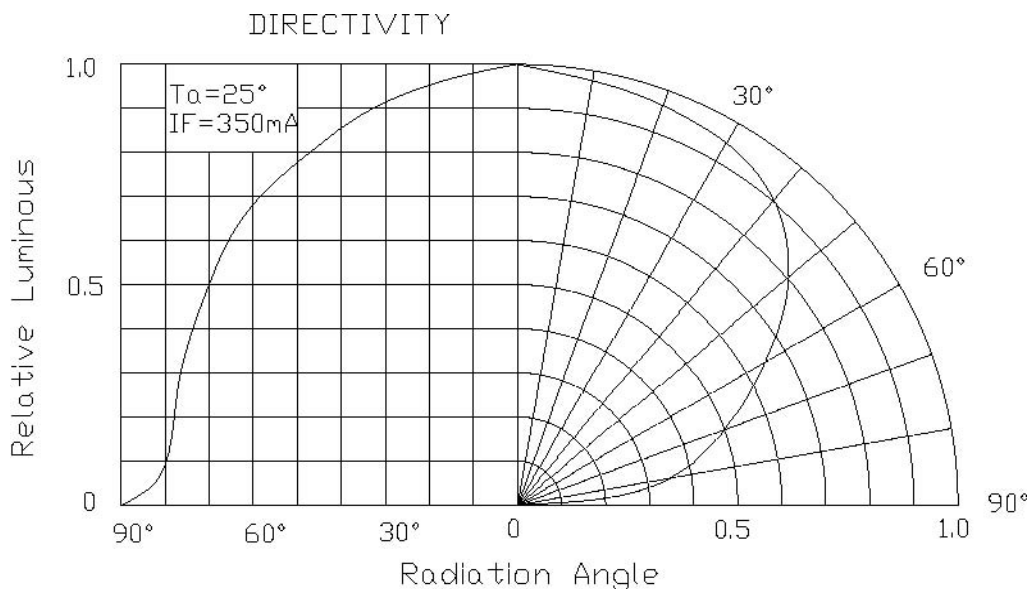


### Typical Applications:

- Reading lights(car,bus,aircraft)
- Portable(flashlight,bicycle)
- Automotive Exterior(Stop-Tail-Turn, CHMSL,Mirror Side Repeat)
- Decorative

#### NOTE:

- All dimensions are millimeter.
- Tolerance is  $\pm 0.25\text{mm}$  unless otherwise noted





# Ningbo Junsheng Electronics Co.,LTD.

**Part No.: JSL-5W-NW**

## Absolute maximum ratings (Ta = 25°C)

| Parameter                | Symbol | Test Condition | Value                   |      | Unit |
|--------------------------|--------|----------------|-------------------------|------|------|
|                          |        |                | Min.                    | Max. |      |
| DC Forward Current       | IF     | ----           | ----                    | 700  | mA   |
| Peak Pulse Current       | Ipeak  | Duty=0.1, 1kHz | ----                    | 1000 | mA   |
| Power Dissipation        | Pd     | ----           | ----                    | 5    | W    |
| LED Junction Temperature | Tj     | ----           | ----                    | 120  | °C   |
| Operating Temperature    | Topr   | ----           | -25                     | +100 | °C   |
| Storage Temperature      | Tstr   | ----           | -40                     | +120 | °C   |
| ESD Sensitivity          | ---    | HBM            | 8000                    | ---- | V    |
| Soldering Temperature    | ---    | ----           | 260°C for 5 Seconds max |      |      |

## Electrical and optical characteristics (Ta = 25°C)

| Parameter         | Symbol | Test Condition | Value |      |      | Unit |
|-------------------|--------|----------------|-------|------|------|------|
|                   |        |                | Min.  | Typ. | Max. |      |
| Forward Voltage   | VF     | IF = 700mA     | 6.0   | 6.5  | 7.0  | V    |
| Luminous Flux     | Φv     | IF = 700mA     | 400   | 500  | ---- | lm   |
| Viewing Angle     | 2θ 1/2 | IF = 700mA     | ----  | 120  | ---- | Deg. |
| Color Temperature | CCT    | IF = 700mA     | ----  | 4000 | ---- | K    |