

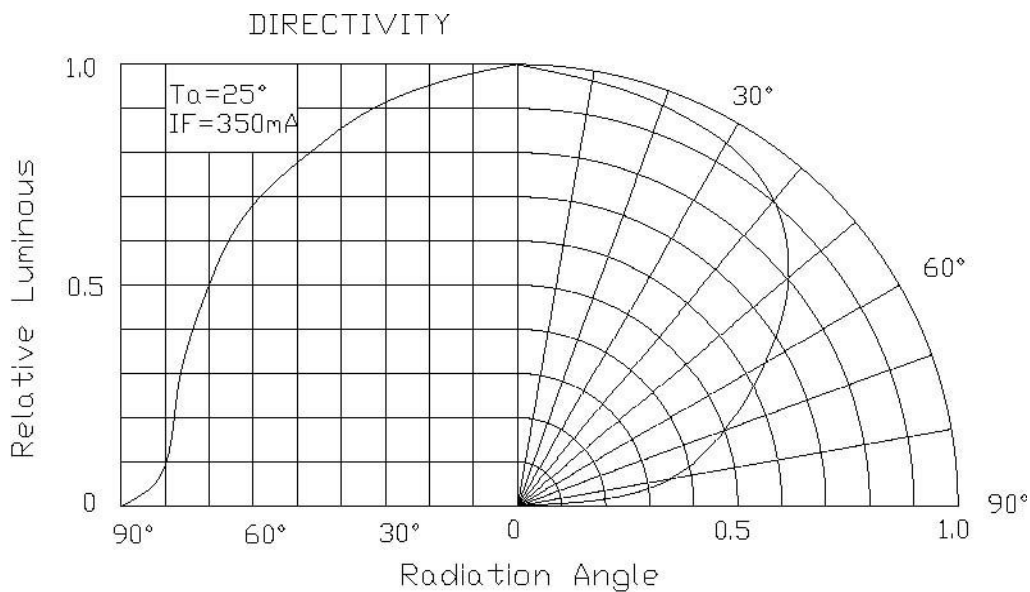
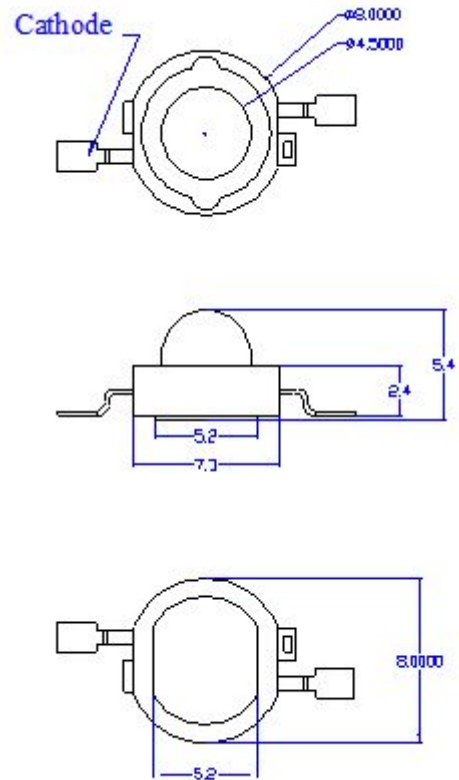
**Part No.: JSL-3W-IR940**

**Features:**

- High reliability and Very long operating life (up to 100K hours)
- Low voltage DC operated
- Superior ESD protection

**Typical Applications:**

- Dice material: AlGaAs
- Emitting Color: Infrared Emitting diodes
- Device Outline: high power diodes
- Lens Type: Water Clear





# Ningbo Junsheng Electronics Co.,LTD.

**Part No.: JSL-3W-IR940**

## Absolute maximum ratings (Ta = 25°C)

Parameter	Symbol	Test Condition	Value		Unit
			Min.	Max.	
DC Forward Current	I <sub>F</sub>	----	----	700	mA
Peak Pulse Current	I <sub>peak</sub>	Duty=0.1, 1kHz	----	1000	mA
Power Dissipation	P <sub>d</sub>	----	----	3.0	W
Reverse Voltage	V <sub>R</sub>	----	5	----	V
LED Junction Temperature	T <sub>j</sub>	----	----	120	°C
Operating Temperature	T <sub>opr</sub>	----	-25	+100	°C
Storage Temperature	T <sub>str</sub>	----	-40	+120	°C
ESD Sensitivity	---	HBM	8000	----	V
Soldering Temperature	---	----	260°C for 5 Seconds max		

## Electrical and optical characteristics (Ta = 25°C)

Parameter	Symbol	Test Condition	Value			Unit
			Min.	Typ.	Max.	
Forward Voltage	V <sub>F</sub>	I <sub>F</sub> = 700mA	1.4	----	1.6	V
Dominate Wavelength	λ <sub>d</sub>	I <sub>F</sub> = 700mA	----	940	----	nm
Reverse current	I <sub>R</sub>	V <sub>R</sub> =5V	----	----	20	uA
Luminous Intensity	I <sub>e</sub>	I <sub>F</sub> = 700mA	100	----	120	mW/Sr
Viewing Angle	2θ <sub>1/2</sub>	I <sub>F</sub> = 700mA	----	120	----	deg.