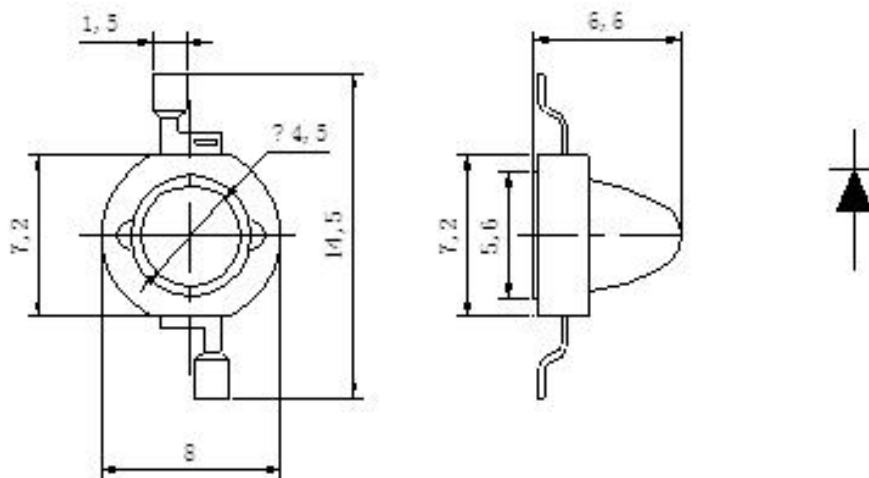


**Features:**

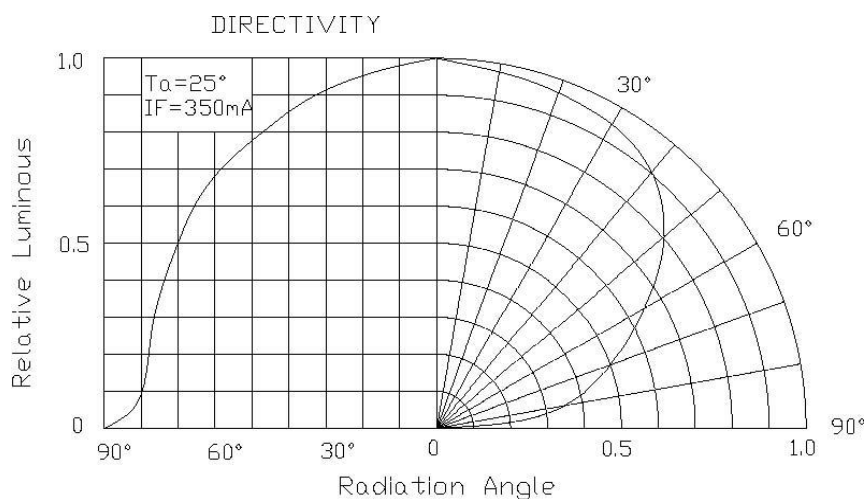
- High reliability and Very long operating life (up to 100K hours)
- Low voltage DC operated
- Superior ESD protection
- Emitting Color: Infrared Emitting diodes

**Package Dimensions(mm):**



**Remark:**

1. the tolerances less than  $\pm 0.1\text{mm}$
2. unit: mm





# Ningbo Junsheng Electronics Co.,LTD.

**Part No.: JSL-3W-IR740-60**

## Absolute maximum ratings (Ta = 25°C)

Parameter	Symbol	Test Condition	Value		Unit
			Min.	Max.	
DC Forward Current	IF	----	----	700	mA
Peak Pulse Current	Ipeak	Duty=0.1, 1kHz	----	1000	mA
Power Dissipation	Pd	----	----	3.0	W
Reverse Voltage	VR	----	5	----	V
LED Junction Temperature	Tj	----	----	120	°C
Operating Temperature	Topr	----	-25	+100	°C
Storage Temperature	Tstr	----	-40	+120	°C
ESD Sensitivity	---	HBM	8000	----	V
Soldering Temperature	---	----	260°C for 5 Seconds max		

## Electrical and optical characteristics (Ta = 25°C)

Parameter	Symbol	Test Condition	Value			Unit
			Min.	Typ.	Max.	
Forward Voltage	VF	IF = 700mA	1.7	---	2.4	V
Luminous Flux	Φv	IF = 700mA	160	---	240	mW
Viewing Angle	2θ 1/2	IF = 700mA	----	60	----	Deg.
Dominate Wavelength	λd	IF = 700mA	----	740	----	nm
Parameter	Symbol	Test Condition	Value			Unit