

Ningbo Junsheng Electronics Co.,Ltd.

1.80"(45.00mm)Single Digit 7 Segment Display

Features:

- *Ultra segment intensity
- *Wide viewing angle
- *Range of colors
- *Gray face White segment
- *RoHS compliant

Available option:

- *Alternative face and segment color
- *Alternative font
- *Cropped terminal pins
- *Available emitting color
- *Low current version

Electro/Optical Characteristics If=20mA Ta=25°C

Part Number Common Cathode	Part Number Common Anode	Emitting Colors	Peak Wavelength	Forward Voltage V		Luminous Intensity Iv	
				Typ.	Max.	Min.	Typ.
JS1-18011EURUG-21	JS1-18011FURUG-21	AlGaInP/GaAs Super Red	630	2.00	2.50	30.00	60.00
		AlGaInP/GaAs Yellow Green	574	2.10	2.50	30.00	45.00
JS1-18011EUEUG-21	JS1-18011FUEUG-21	AlGaInP/GaAs Ultra Red	625	2.00	2.50	120.00	240.0
		AlGaInP/GaAs Yellow Green	574	2.10	2.50	30.00	45.00
JS1-18011EUEUB-21	JS1-18011FUEUB-21	AlGaInP/GaAs Ultra Red	625	2.00	2.50	120.00	240.0
		InGaN/SiC Ultra Blue	470	3.30	3.80	120.00	150.0
Units			nm	V		mcd	

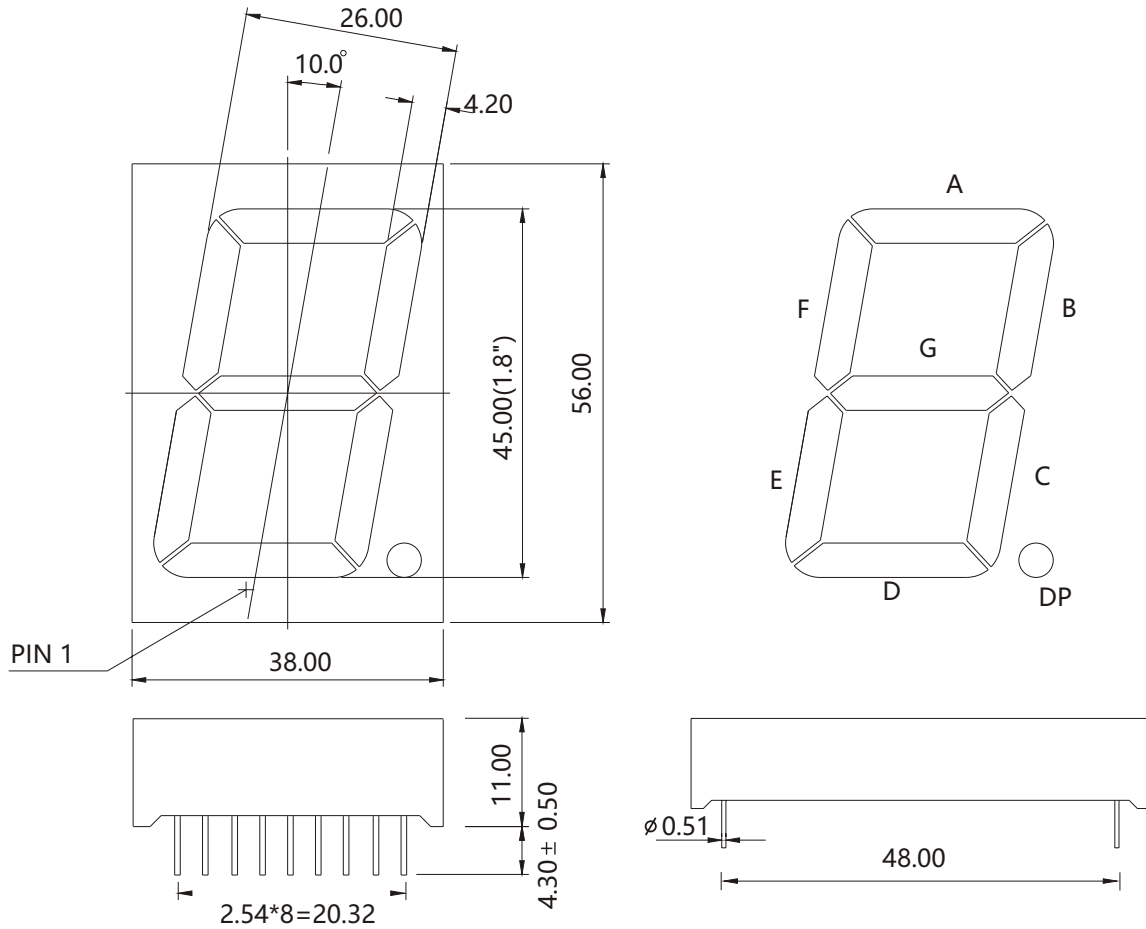
Maximum Ratings Ta=25 C (Derate above 25 C)

Characteristic	Test Condition	Symbol	UR	UE	UG	UB	Units
Pulse Forward Current Per Seg.	1/10 duty cycle 0.1ms Pulse width	I _{FP}	100	100	100	100	mA
DC Forward Current Per Seg.		I _F	30	30	30	30	mA
Reverse Current Per Seg.	V _R =5V	I _R	10	10	10	10	μA
Power Dissipation		P _D	36	40	44	66	mW
Operating Temperature		T _{OPR}	-40 to +80				°C
Storage Temperature		T _{TSG}	-40 to +85				°C
Lead soldering temperature	1.60mm from body maximum 3 seconds		260				°C

Checked	Becky Sun	Approved	Jason Lou	Date	Aug/14/2013	PAGE 1 /2
---------	-----------	----------	-----------	------	-------------	-----------

1.80"(45.00mm)Single Digit 7 Segment Display

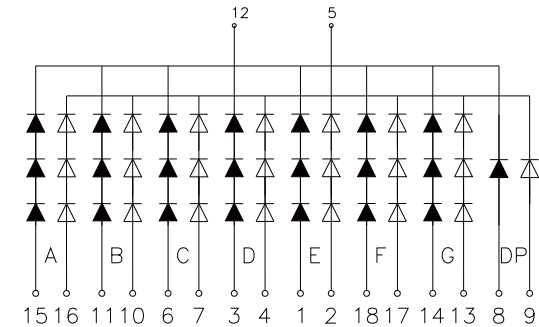
PACKAGE DIMENSION



Tolerance ± 0.25 mm unless stated

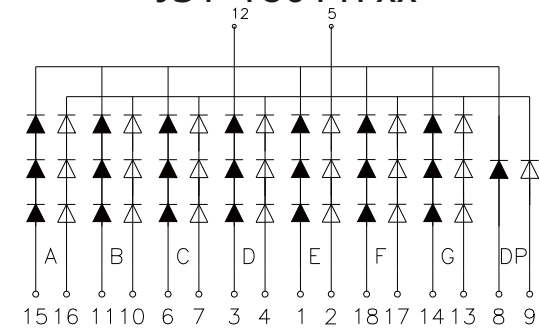
INTERNAL CIRCUIT DIAGRAM

**Common Cathode
JS1-18011Exx**



—▶ = RED ◀ = GREEN

**Common Anode
JS1-18011Fxx**



—▶ = RED ◀ = GREEN