

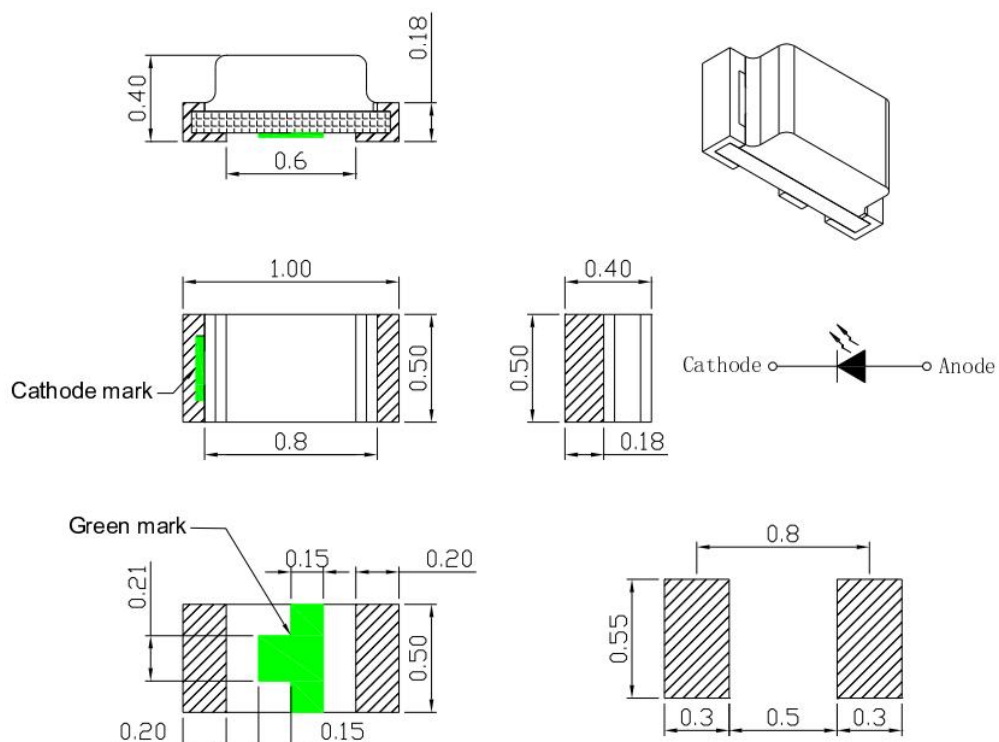
### 1、Features:

- Emitting Color: Pure Green
- Lens Type: Water Clear
- Device Outline: 1.1×0.5×0.4 (unit:mm)
- RoHS compliant

### 2、Applications:

- Backlight for Mobile, Machine Vision, LCD Display
- Backlight in Dashboard and switch of Automotive

### 3、Outline Dimensions:



建议焊盘尺寸

Note: 1.All dimension units are millimeters

2. All dimension tolerance is  $\pm 0.10\text{mm}$



**4、 Absolute maximum ratings (Ta = 25°C):**

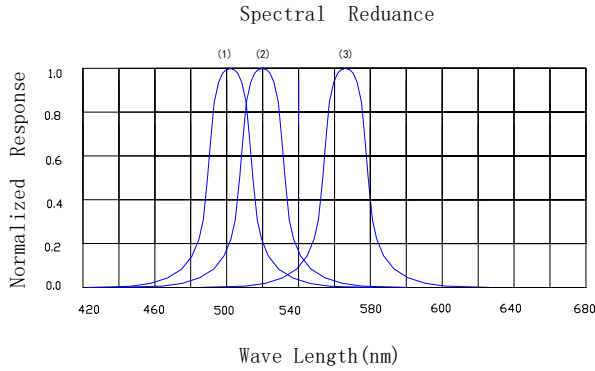
Parameter	Symbol	Test Condition	Value		Unit
			Min.	Max.	
Power Dissipation	Pd	---	---	70	mW
Reverse Voltage	VR	IR = 30 $\mu$ A	5	---	V
Pulse Current	IFp	Duty=0.1, 1kHz	---	100	mA
Forward Current	IFm	---	---	25	mA
Operating Temperature	Topr	---	-40	+85	°C
Storage Temperature	Tstr	---	-40	+85	°C

**5、 Electrical and optical characteristics (Ta = 25°C):**

Parameter	Symbol	Test Condition	Value			Unit
			Min.	Typ.	Max.	
Forward Voltage	VF	IF = 20mA	2.8	3.0	3.6	V
Reverse Current	IR	VR = 5V	---	---	30	$\mu$ A
Wave Length	Tc	IF = 20mA	---	525	---	nm
Luminous Intensity	Iv	IF = 20mA	400	600		mcd
Viewing Angle	2 $\theta$ 1/2	IF = 20mA	---	120	---	Deg.



### 6. Typical electrical/optical characteristic curves:



- (1) InGaN peak@505nm /bluish Green
- (2) InGaN peak@520nm /pure Green
- (3) GaP. GaAsP. AlGaAsP peak@568nm / Green

