



Part No: **JSL-303PD**

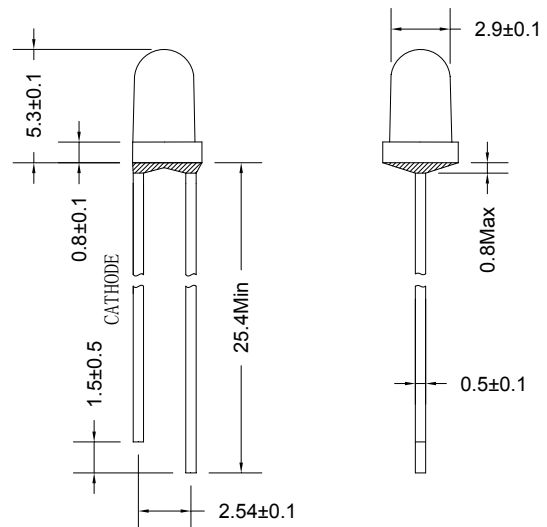
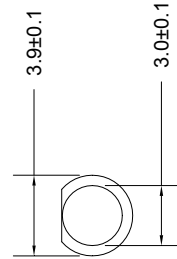
Features:

- High power output
- Low power consumption
- High reliability and long life

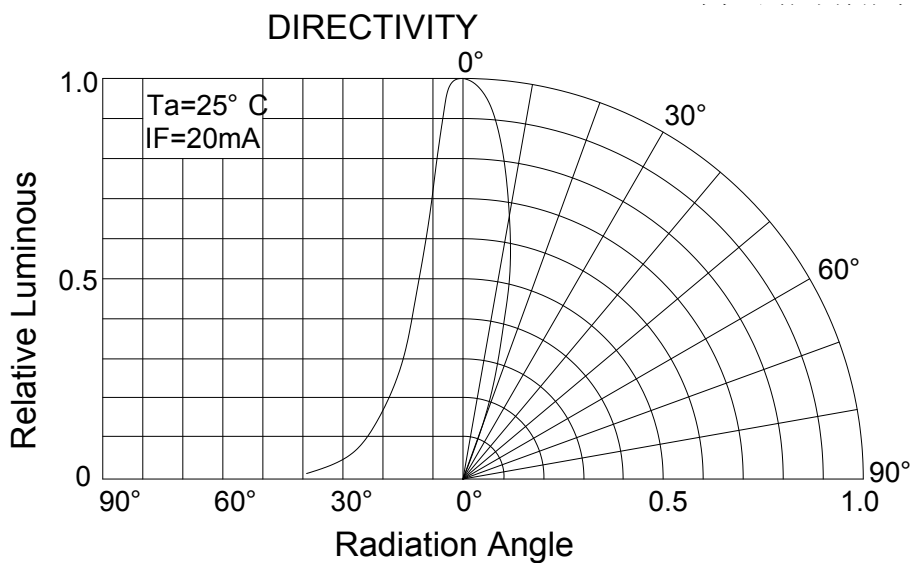
Descriptions:

- Emitting Color: Photo diode
- Device Outline: ϕ 3mm Round Type/ 3mm
- Lens Type: Deep Blue

Directivity:



1. All dimensions are millimeters/单位: mm.
2. Tolerance is +/-0.25mm unless otherwise noted/





Absolute maximum ratings (Ta = 25°C)

Parameter	Symbol	Test Condition	Values			Unit
			Min.	Typ	Max	
Reverse Breakdown Voltage	V _{BR}	I _R = 100 μ A, H=0mw/ cm ²	35	170	---	V
Operating Temperature	T _{opr}	----	-40	+85		°C
Storage Temperature	T _{str}	----	-40	+100		°C

Electrical and optical characteristics (Ta = 25°C)

Parameter	Symbol	Test Condition	Values			Unit 单位
			Min.	Typ.	Max.	
Forward Voltage	V _F	I _F =20mA	0.5	1.2	1.4	V
Light Current	I _L	H as1mw/ cm ² @940nm,VR=5V	----	1.8	----	μ A
Dominate Wavelength	λ _p	I _F =20mA	----	940	----	nm
Reverse Dark Current	I _D	H=0mw/ cm ² ,VR=10V	----	2	10	nA
Juncition Capacitance	C _J	VR=3V,f=1MHZ, H=0mw/ cm ²	----	1.5	----	PF
Viewing Angle	2 θ 1/2	I _F =20mA	----	30	----	deg.



Typical electrical/optical characteristic curves:

