



**Part No.: JSL-801UGD**

**Features:**

- Single color
- High bright output
- Low power consumption
- High reliability and long life
- Compliance with EU REACH

**Descriptions:**

- Emitting Color: Super Yellow Green
- Device Outline: 8mm Round With Flange Type
- Lens Type: Green Diffused
- The LED lamps are available with different colors, intensities.

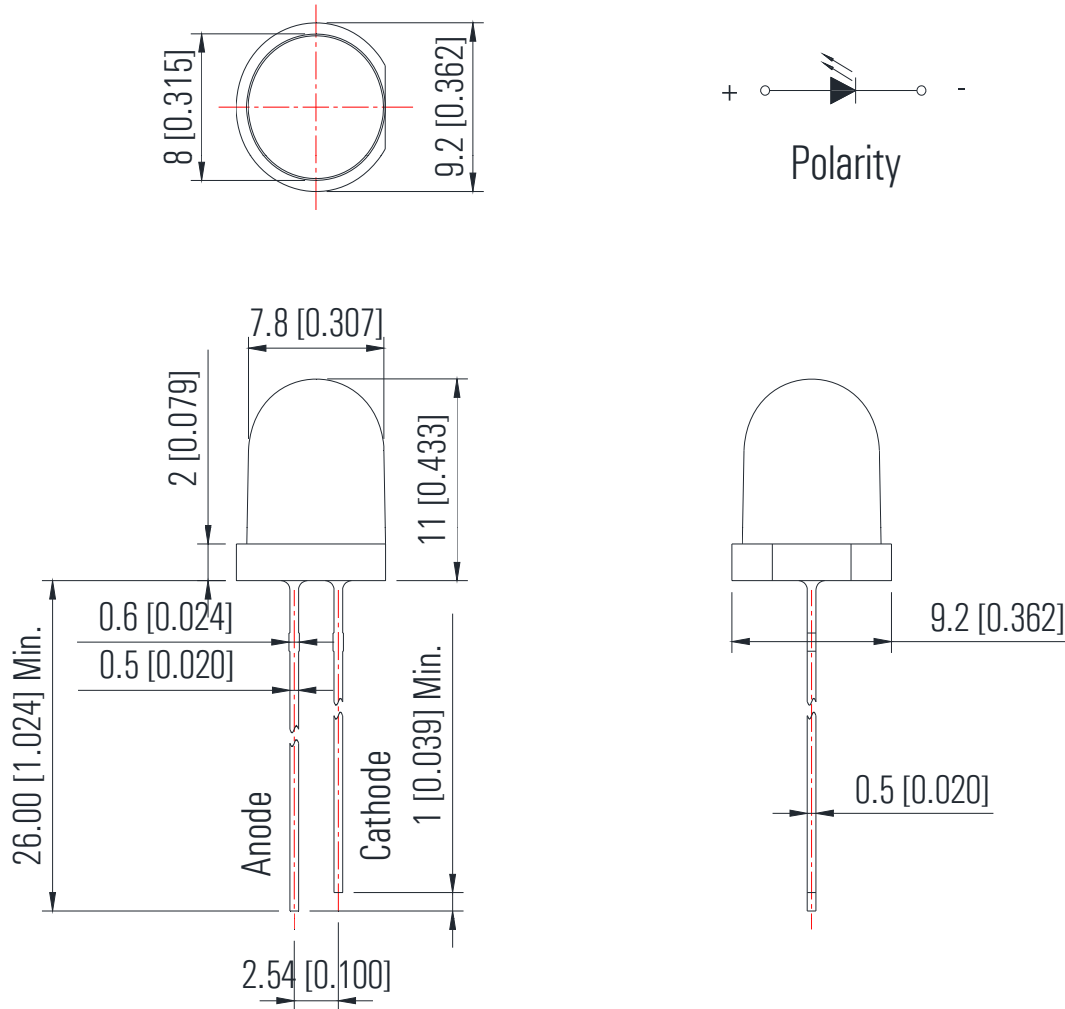
**Application:**

- Circuit board.
- Indicators.
- Computer.
- Commercial use.



Part No.: JSL-801UGD

Package Dimension:



Notes:

1. All dimensions are millimeters/单位: mm.
2. Tolerance is +/-0.25mm unless otherwise noted/  
没有标注的公差均为±0.25mm



Part No.: JSL-801UGD

**Absolute maximum ratings (Ta = 25°C)**

Parameter	Symbol	Test Condition	Values		Unit
			Min.	Max.	
Reverse Voltage	V <sub>R</sub>	I <sub>R</sub> = 30 μ A	----	5	V
Forward Current	I <sub>F</sub>	----	----	25	mA
Power Dissipation	P <sub>d</sub>	----	----	60	mW
Pulse Current	I <sub>peak</sub>	Duty=0.1mS, 1kHz	----	100	mA
Operating Temperature	T <sub>opr</sub>	----	-40	+85	°C
Storage Temperature	T <sub>str</sub>	----	-40	+85	°C

**Electrical and optical characteristics (Ta = 25°C)**

Parameter	Symbol	Test Condition	Values			Unit
			Min.	Typ.	Max.	
Forward Voltage	V <sub>F</sub>	I <sub>F</sub> =20mA	1.8	2.0	2.4	V
Reverse Current	I <sub>R</sub>	V <sub>R</sub> =5V	----	----	30	μ A
Dominate Wavelength	λ <sub>d</sub>	I <sub>F</sub> =20mA	----	571	----	nm
Peak Wavelength	λ <sub>p</sub>	I <sub>F</sub> =20mA	----	573	----	nm
Spectral Line half-width	Δ λ	I <sub>F</sub> =20mA	----	20	----	nm
Luminous Intensity	I <sub>v</sub>	I <sub>F</sub> =20mA	60	100	----	mcd
Viewing Angle	2 θ 1/2	I <sub>F</sub> =20mA	----	60	----	deg.



Part No.: JSL-801UGD

Typical electrical/optical characteristic curves:

(25°C Ambient Temperature Unless Otherwise Noted)

