



Part No.: JSL-1880UYC-30A

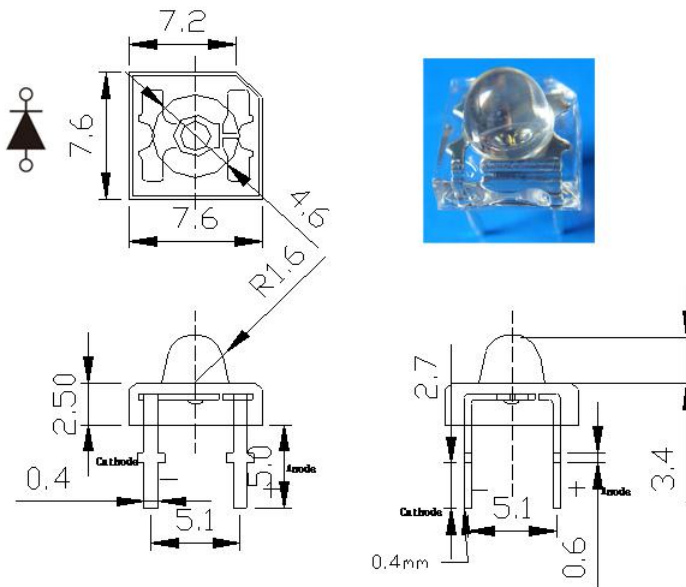
Features:

- Single color
- High bright output
- Low power consumption
- High reliability and long life

Descriptions:

- Dice material: AlGaInP
- Emitting Color: Super Bright Yellow
- Device Outline: ϕ 5mm LED Flux
- Lens Type: Water Clear

Package dimension:



NOTES:

- 1.All dimensions are in millimeters (inches).
- 2.Tolerance is $\pm 0.10\text{mm}$ (0.004") unless otherwise specified.



Part No.: JSL-1880UYC-30A

Absolute maximum ratings (Ta = 25°C)

| Parameter | Symbol | Test Condition | Values | | Unit |
|-----------------------|-------------------|-------------------------|--------|------|------|
| | | | Min. | Max. | |
| Reverse Voltage | V _R | I _R = 30 μ A | 5 | -- | V |
| Forward Current | I _F | ---- | ---- | 30 | mA |
| Power Dissipation | P _d | ---- | ---- | 75 | mW |
| Pulse Current | I _{peak} | Duty=0.1mS, 1kHz | ---- | 100 | mA |
| Operating Temperature | T _{opr} | ---- | -40 | +85 | °C |
| Storage Temperature | T _{str} | ---- | -40 | +100 | °C |

Electrical and optical characteristics (Ta = 25°C)

| Parameter | Symbol | Test Condition | Values | | | Unit |
|-------------------------|----------------|----------------------|--------|------|------|------|
| | | | Min. | Typ. | Max. | |
| Forward Voltage 正向电压 | V _F | I _F =20mA | ---- | 2.1 | 2.4 | V |
| Reverse Current | I _R | V _R =5V | ---- | ---- | 30 | μ A |
| Dominate Wavelength | λ _d | I _F =20mA | 588 | 590 | 595 | nm |
| Luminous Intensity | I _v | I _F =20mA | 4000 | 5000 | 6000 | mcd |
| Viewing Angle | 2 θ 1/2 | I _F =20mA | ---- | 30 | ---- | deg. |

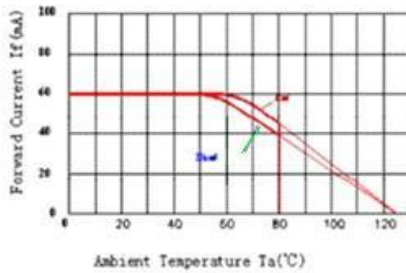


Part No.: JSL-1880UYC-30A

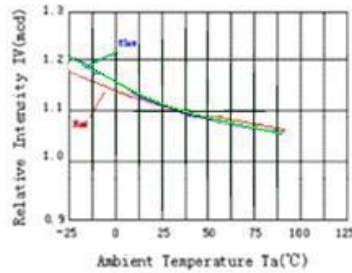
Typical electrical/optical characteristic curves:

典型的光-电曲线图:

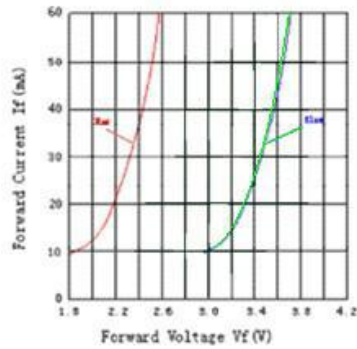
Forward Current vs. Ambient Temperature



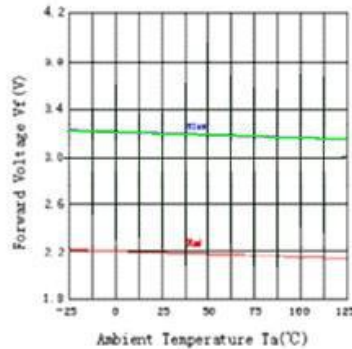
Relative Intensity IV(mod) vs. Ambient Temperature



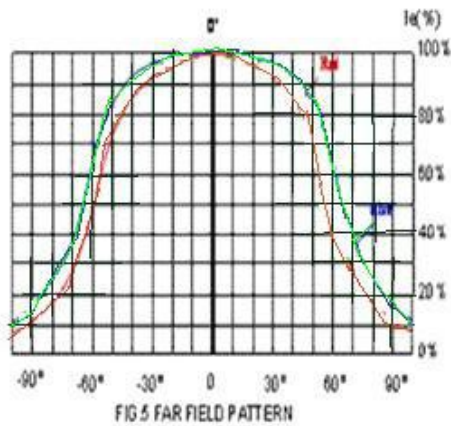
Forward Current vs. Forward Voltage



Forward Voltage Vf (V) vs. Ambient Temperature



50% Power Angle: 115°



Luminous Spectrum (Ta=25°C) SPECTRAL RADIANCE

